



**CONVENTION ON
THE COLLECTION, DEPOSIT AND RECEPTION
OF WASTE
GENERATED DURING NAVIGATION ON THE RHINE
AND OTHER INLAND WATERWAYS**

Strasbourg • 9th September 1996

CONSOLIDATED CONVENTION NOVEMBER 2014
UNOFFICIAL VERSION

Legal notice: November 2014
ISBN 979-10-90735-23-1

Published by the Secretariat of the CDNI in the light of the changes that have been adopted until December 2013.

Secretariat of the CDNI: Central Commission for the Navigation of the Rhine, 2, place de la République, 67082
STRASBOURG Cedex
www.cdni-iwt.org

FOREWORD

The Convention on the collection, deposit and reception of waste produced during navigation on the Rhine and inland waterways (CDNI*) was signed in Strasbourg in 1996 by Germany, Belgium, France, Luxembourg, the Netherlands and Switzerland. Following ratification by all the signatory states it came into force on 1 November 2009.

Since then, the organs envisaged by this instrument, the Contracting Parties Conference (CPC) and the International Organ for Equalisation and Coordination (IIPC) have commenced operation and are assisted in the performance of their respective tasks by the Secretariat of the Central Commission for the Navigation of the Rhine. Their headquarters are located in Strasbourg (Palais du Rhine). The CDNI is implemented based on provisions introduced in national regulations.

Since 2009, the Contracting Parties Conference has adopted a number of amendments to the implementing regulations (Annex 2), the most important of which are briefly presented below :

In 2010 a major amendment to Annex 2 (oily and fatty waste) pertaining to the system for financing waste reception plants (article 6 of the CDNI) was adopted, thus facilitating an electronic payment system. This system has been in operation since 1 January 2011.

As regards Part B (cargo-related waste), Annex 2 was amended in 2012 to improve consideration of standard practices in inland navigation. As a result, certain types of transportation have been exempted from the obligations on unloading certificates (article 6.03). The format of the unloading certificate (Appendix IV) was amended in 2013 to enable two distinct certificates to be used depending on whether the shipping in question is of the dry or tanker variety. Moreover, there were a number of amendments to the unloading standard and Appendix III in 2009 and 2011.

An addition was made to Article 9.03 of Part C (other waste) of Annex 2 in 2013 to stipulate that the responsibility for ensuring compliance with the ban on the discharge of domestic wastewater by a passenger vessel carrying more than 50 passengers resides with its skipper. For vessels carrying more than 50 passengers which are equipped with onboard waste-water treatment plants, fitted before 1.1.2011, a transitional regime was introduced. Finally, Appendix V had already been the subject of an amendment in 2009 concerning the maximum and testing values for onboard waste-water treatment plants accompanied by harmonisation with the corresponding standards applicable on the Danube.

Furthermore, further details concerning the geographical scope of the CDNI in Germany were provided in 2004.

This present consolidated version includes all the modifications that have occurred up to December 2013.

Additional information is available on the website www.cdni-iwt.org.

* CDNI: Convention relative à la collecte, au dépôt et à la réception des déchets survenant en navigation rhénane et intérieure (Convention on the Collection, Deposit and Reception of Waste Generated During Navigation on the Rhine and Other Inland Waterways).

FOREWORD	3	
Convention on the collection, deposit and reception of waste generated during navigation on the Rhine and other inland waterways	7	
General provisions	8	
Particular provisions - Obligations incumbent on the states	9	
Obligations incumbent on the parties concerned, and their rights	12	
Conference of the contracting parties	13	
Sanctions	14	
Final provisions	14	
ANNEX 1	17	
Waterways referred to in Article 2	17	
ANNEX 2	19	
Implementing Regulation	19	
Part A	The collection, deposit and reception of oily and greasy waste generated from the operation of the vessel	21
Chapter I	Obligations incumbent on the reception stations	21
Chapter II	Obligations incumbent on the boatmaster	22
Chapter III	Organisation and financing of the elimination of oily and greasy waste generated from the operation of the vessel	25
Chapter IV	International financial clearance	29
PART B	Collection, Deposit and Reception of Cargo-Related Waste	31
Chapter V	General Provisions	31
Chapter VI	Obligations incumbent on the boatmaster	33
Chapter VII	Obligations incumbent on the carrier, the charterer, the consignee, and on the operator of the handling facility/stevedore	37

Part C	Collection, deposit and reception of other waste generated from the operation of the vessel	41
	Chapter VIII General Provisions	41
	Chapter IX Obligations incumbent on the boatmaster	43
	Chapter X Obligations incumbent on the operator of the reception station	45

APPENDICES

	Appendix I Model used-oil log	49
	Appendix II Requirements concerning the stripping system	53
	Appendix III Unloading standards and prescriptions on deposit and reception with a view to authorising the discharge of wash water, rainwater and ballast water containing cargo residues	57
	Appendix IV Attestation of unloading	81
	Appendix V Limit and control values for sewage treatment plants on board passenger ships	87

CONVENTION ON THE COLLECTION, DEPOSIT AND RECEPTION OF WASTE GENERATED DURING NAVIGATION ON THE RHINE AND OTHER INLAND WATERWAYS

The Federal Republic of Germany,
The Kingdom of Belgium,
The French Republic,
The Grand Duchy of Luxembourg,
The Kingdom of the Netherlands,
The Swiss Confederation,

considering that the prevention and the collection, deposit and reception of waste with a view to its recycling and disposal in order to protect the environment and to ensure the safety and well-being of shipboard personnel and transport users are a requirement for inland navigation and for the related branches of the economy, and that the latter wish to make a greater contribution in this respect,

convinced of the importance to that end of implementing internationally coordinated, uniform regulations in order to avoid any distortion of competition,

convinced furthermore that the collection, deposit, reception and disposal of shipboard waste should be financed according to the "polluter pays" principle,

noting in particular that the levying of a uniform international charge for the reception and disposal of the oily and greasy waste produced in the course of operating vessels, based on the amount of gas oil sold to inland navigation vessels, does not infringe the principle of exemption from customs duty and other taxes in the States bordering the Rhine and in Belgium, as stated in the Agreement of 16 May 1952 on the customs and tax regime for gas oil used by vessels navigating the Rhine,

expressing the wish that other States whose inland waterways are connected to those of the Contracting States should adhere to the present Convention,

are agreed on the following:

GENERAL PROVISIONS

Article 1

Definitions

In this Convention the terms below shall have the following meanings:

- a) **“Waste generated on board”** means matter or objects defined under letters b) to f) below which the holder disposes of or has the intention or obligation to dispose of;
- b) **“Waste generated from the operation of the vessel”** means waste and wastewater generated on board as a result of the operation and maintenance of the vessel; this includes oily and greasy waste and other waste generated from the operation of the vessel;
- c) **“Oily and greasy waste generated from the operation of the vessel”** means used oil, bilge water and other oily or greasy waste, such as used grease, used filters, used rags, and the containers and packaging of such waste;
- d) **“Bilge water”** means oily water from the engine room bilges, the peak, the cofferdams and wing voids;
- e) **“Other waste generated from the operation of the vessel”** means domestic waste water, domestic refuse, cleansing slurry, slops and other special waste as defined in Part C of the Implementing Regulation;
- f) **“Cargo-related waste”** means waste and wastewater produced on board the vessel deriving from the cargo; this does not include residual cargo and handling residues as defined in Part B of the Implementing Regulation;
- g) **“Vessel”** means an inland waterway vessel, seagoing vessel, or floating equipment¹;
- h) **“Passenger vessel”** means a vessel built and fitted out for the transport of passengers;
- i) **“Seagoing vessel”** means a vessel permitted to undertake maritime or coastal navigation and used principally for such navigation;
- j) **“Reception station”** means a vessel or shore facility approved by the competent authorities for receiving waste generated on board;
- k) **“Boatmaster”** means the person under whose authority the vessel is placed;
- l) **“Motorised vessel”** means a vessel whose main or auxiliary engines, apart from anchor windlass motors, are internal combustion engines;
- m) **“Gas oil”** means the fuel exempt from customs duty and other duty, for use by inland navigation vessels;
- n) **“Bunkering station”** means a station where vessels take on supplies of gas oil;
- o) **“Operator of the handling facility/stevedore”** means a person loading or unloading vessels on a professional basis;
- p) **“Charterer”** means the party issuing the transport order;
- q) **“Carrier”** means the party responsible for transporting goods on a professional basis;
- r) **“Consignee”** means the party authorised to take delivery of the cargo.

¹ CDNI 2012-I-4

Article 2
Geographical scope

The present Convention shall apply on the waterways referred to in Annex 1.

PARTICULAR PROVISIONS
OBLIGATIONS INCUMBENT ON THE STATES

Article 3
Prohibition of dumping and discharging

- (1) Dumping or discharging waste generated on board or any part of the cargo from vessels into the waterways referred to in Annex 1 shall be prohibited.
- (2) The Contracting States shall ensure compliance with the prohibition referred to in paragraph 1 of the present Article.
- (3) Exceptions to this prohibition shall only be authorised in compliance with the provisions contained in Annex 2 and its appendices, referred to hereafter as the "Implementing Regulation".

Article 4
Reception stations

- (1) The Contracting States shall undertake to install or have installed on the waterways referred to in Annex 1 a sufficiently dense network of reception stations and to coordinate it internationally.
- (2) The Contracting States shall introduce, in compliance with the Implementing Regulation, a uniform procedure for the collection and deposit of waste generated on board at reception stations. This procedure shall involve, for the waste referred to in sub-sections c), d) and f) of Article 1, the production of an attestation of correct deposit for that waste. The correct deposit of slops and cleansing slurry as defined in Part C of the Implementing Regulation must be attested on the basis of national provisions.
- (3) The reception stations shall be required to receive waste generated on board in accordance with the rules and procedures laid down in the Implementing Regulation.
- (4) The Contracting States shall ensure that the reception stations meet their obligation to receive waste generated on board in compliance with the national provisions.

Article 5
Financing principle

The Contracting States shall introduce a uniform process for financing the reception and disposal of waste produced on board.

Article 6

Financing the reception and disposal of oily and greasy waste generated from the operation of the vessel

- (1) The reception and disposal of oily and greasy waste generated from the operation of the vessel shall be financed by a disposal charge levied on motorised vessels, except seagoing vessels, that use gas oil. The amount of the payment shall be the same in all the Contracting States. It shall be determined in accordance with the procedure laid down in Part A of the Implementing Regulation, on the basis of the total cost of reception and elimination, less any revenue generated by recycling the oily and greasy waste generated from the operation of the vessel, and of the quantity of gas oil delivered. It shall be adapted in line with changing costs. With a view to promoting a reduction in the quantity of waste, criteria should be laid down and taken into consideration when determining the amount of the disposal charge.

The disposal charges paid shall be allocated exclusively to financing the reception and disposal of oily and greasy waste generated from the operation of the vessel.

- (2) The procedure referred to in paragraph 1 above shall be re-examined if necessary in the light of experience once the system is functioning.
- (3) Payment of the disposal charge shall confer entitlement to deposit oily and greasy waste generated from the operation of the vessel at the reception stations designated by the national institutions.
- (4) The Contracting States shall ensure that the boatmaster and the bunkering stations, more particularly at each delivery of gas oil, meet the obligations incumbent on them by virtue of Part A of the Implementing Regulation.

Article 7

Financing the reception and disposal of other waste generated from the operation of the vessel

- (1) In the ports, at the handling facilities, and at holding areas and locks, there shall be no specific charge made for the reception and disposal of domestic refuse.
- (2) For the reception and disposal of other special waste, the Contracting States shall take concerted steps to set up a financing system providing for the cost of reception and disposal of this waste to be included in port or berthing fees, or charged to the vessel in another way, whether or not the vessel does or does not deposit such waste.
- (3) For passenger vessels, the cost of the reception and disposal of domestic waste water and cleansing slurry and of domestic refuse and other special waste may be charged to the boatmaster separately.
- (4) The cost of the reception and disposal of slops may be charged to the boatmaster separately.

Article 8

Financing the unloading of residual cargo, washing, and the reception and disposal of cargo-related waste

- (1) The charterer or the consignee shall bear the cost incurred by unloading residual cargo and washing the vessel and by the reception and disposal of cargo-related waste in compliance with Part B of the Implementing Regulation.
- (2) If prior to loading, the vessel does not comply with the required unloading standard and if the charterer or the consignee concerned by the preceding transport had fulfilled its obligations, the carrier shall bear the cost incurred by unloading residual cargo and washing the vessel and by the reception and disposal of the cargo-related waste.

Article 9

National institution

- (1) Each Contracting State shall designate the national institution responsible for organising the uniform system for financing the reception and disposal of oily and greasy waste generated from the operation of the vessel under the conditions laid down in Part A of the Implementing Regulation.
- (2) The national institution's composition, organisational arrangements and working practices shall be laid down by the national provisions adopted by the Contracting States. The national institution must include representatives of the inland navigation industry.
- (3) The operating and administrative costs of each national institution shall be borne by each of the Contracting States.

Article 10

International financial clearance - International Clearance and Coordination Body

- (1) International financial clearance shall be assured in compliance with the provisions of the present Convention and those of Part A of the Implementing Regulation.
- (2) An International Clearance and Coordination Body shall be set up. Its main tasks shall be:
 - a) to ensure the financial clearance between the national institutions for the reception and disposal of oily and greasy waste generated from the operation of the vessel in accordance with the methods laid down by it on the basis of the provisions of Part A of the Implementing Regulation;
 - b) to examine to what extent the existing network of reception stations needs to be adapted in the light of the requirements of shipping and the efficiency of elimination;
 - c) to carry out an annual assessment of the system for financing the reception and disposal of oily and greasy waste produced in the course of operating vessels in compliance with Article 6, on the basis of practical experience;

- d) to make proposals for adapting the amount of the disposal charge to changing costs;
- e) to make proposals for taking into account in financial terms technical measures intended to reduce the quantity of waste.

It shall be composed of two representatives of each national institution, one of whom shall represent the national inland navigation industry.

- (3) The International Clearance and Coordination Body shall draw up its rules of procedure unanimously; these rules shall lay down the methods for the international financial clearance.
- (4) The organisation of the International Clearance and Coordination Body shall be laid down in Part A of the Implementing Regulation.
- (5) The secretariat of the International Clearance and Coordination Body shall be assured by the Secretariat of the Central Commission for the Navigation of the Rhine.
- (6) The expenses of the International Clearance and Coordination Body shall be provided for in advance for the following year in a forecast budget to which the Contracting States shall contribute in equal proportions.

OBLIGATIONS INCUMBENT ON THE PARTIES CONCERNED, AND THEIR RIGHTS

Article 11

General duty of vigilance

The boatmaster, the other members of the crew, the other people on board, the charterer, the carrier, the consignee, the operators of handling facilities and the operators of the reception stations shall be required to demonstrate the utmost vigilance required by the circumstances in order to prevent polluting the waterway, limit as much as possible the quantity of waste generated on board, and avoid as far as possible any mixing of the different categories of waste.

Article 12

Obligations incumbent on the boatmaster, and his rights

- (1) The boatmaster may deposit waste generated on board at the reception stations in each of the Contracting States subject to the conditions provided for in the Implementing Regulation.
- (2) The boatmaster shall be required to abide by the obligations provided for in the Implementing Regulation. More specifically, he must comply with the prohibition incumbent on him, save for the exceptions provided for in the Implementing Regulation, to dump or discharge from the vessel into the waterway any waste generated on board and any part of the cargo.
- (3) If a boatmaster cannot be held liable, the carrier, operator or the owner of the vessel shall be liable, in that order, for compliance with the obligations laid down in the present Convention.

Article 13

Obligations incumbent on the carrier, the charterer and the consignee, and on the operators of cargo handling facilities and reception stations

- (1) The carrier, the charterer, the consignee, and the operators of handling facilities or reception stations shall be required to comply with their respective obligations, under the conditions laid down in the Implementing Regulation.
- (2) The consignee shall be required to accept the cargo residues, handling waste, and cargo-related waste. It may instruct a third party to do so on its behalf.

CONFERENCE OF THE CONTRACTING PARTIES

Article 14

Organisation and competencies

- (1) The Contracting Parties shall institute a Conference of Contracting Parties responsible for monitoring the application of the provisions of the present Convention.

The Conference shall meet annually. An extraordinary session may be convened at the request of at least two Contracting Parties.

- (2) The Conference shall examine and decide on any amendments to be made to the present Convention and its attachments in accordance with the procedure laid down in Article 19.
- (3) The Conference, on a proposal by the International Clearance and Coordination Body, shall adopt:
 - a) the annual financial clearance,
 - b) the determination of the amount of the disposal charge for the following year in accordance with the procedure laid down in Article 6 of the present Convention,
 - c) any changes to the procedure for the provisional and annual financial clearance,
 - d) any reductions in the amount of the disposal charge as a result of technical measures to reduce the amount of waste generated on board vessels.

The Conference shall recommend to the Contracting States, on a proposal from the International Clearance and Coordination Body, changes to the existing reception station network.

- (4) The Conference shall settle any disputes concerning the interpretation and application of the present Convention and any disputes that may arise within the International Clearance and Coordination Body, but this may not have the effect of suspending the provisional financial clearance in hand.
- (5) The Conference shall establish its rules of procedure unanimously.
- (6) The Conference shall determine in advance for the following year its forecast budget, to which the Contracting States shall contribute in equal proportions.

Article 15
Secretariat

For the purposes of the present Convention, the Secretariat of the Conference of the Contracting Parties shall be assured by the Secretariat of the Central Commission for the Navigation of the Rhine.

SANCTIONS

Article 16
Sanctions

The Contracting States shall sanction any infringements of the obligations and prohibitions stipulated in the present Convention and its Implementing Regulation committed on their territory, in compliance with their respective national provisions.

FINAL PROVISIONS

Article 17
Signature, ratification and accession

- (1) The present Convention shall be open for signature by the Federal Republic of Germany, the Kingdom of Belgium, the French Republic, the Grand Duchy of Luxembourg, the Kingdom of the Netherlands, and the Swiss Confederation from 1 June 1996 to 30 September 1996.
- (2) The present Convention shall be subject to the ratification, acceptance or approval of the Signatory States. The instruments of ratification, acceptance or approval shall be deposited with the Secretary General of the Central Commission for the Navigation of the Rhine.
- (3) After it has entered into force, the present Convention shall be open to accession by all those States that have inland waterways connected to those of the Contracting States. The instruments of accession shall be deposited with the Secretary General of the Central Commission for the Navigation of the Rhine.

Article 18
Entry into force

The present Convention shall enter into force on the first day of the second month following the deposit of the last instrument of ratification, acceptance or approval of the Signatory States. It shall enter into force in respect of every other Party on the first day of the second month following the deposit of its instrument of accession.

Article 19

Amendments to the present Convention and its attachments

- (1) Each Contracting Party may propose amendments to the present Convention and to its attachments. The amendments proposed shall be examined by the Conference of the Contracting Parties.
- (2) The wording of each proposed amendment and its rationale shall be submitted to the depositary, which shall communicate the proposal to the Contracting Parties no later than three months before the start of the Conference. The depositary shall notify the Contracting Parties of all communications received on positions adopted in respect of such proposals.
- (3) Amendments to the present Convention and to its attachments shall be adopted unanimously.
- (4) Amendments to the present Convention shall be subject to the ratification, acceptance or approval of the Contracting Parties. They shall enter into force on the first day of the sixth month after deposit with the depositary of the last instrument of ratification, acceptance or approval.
- (5) Amendments to the attachments to the present Convention shall enter into force on the agreed date, no later than nine months after their adoption, unless within a period of six months one of the Contracting Parties has indicated its rejection of the amendments.

Article 20

Denunciation

- (1) The present Convention may be denounced by any one of the Contracting Parties by means of written notification sent to the depositary at any time five years after the date on which the Convention came into force in respect of that Party.
- (2) The denunciation shall take effect on the first day of the month following expiry of a period of one year starting on the date on which the notification is received, but no earlier than upon completion of the annual financial clearance for the previous financial year, or upon expiry of any longer period specified in the notification.

Article 21

Depositary

- (1) The Secretary General of the Central Commission for the Navigation of the Rhine shall be the depositary for the present Convention. A record of the deposit of instruments of ratification, acceptance, approval or adhesion shall be drawn up by the depositary, which shall transmit to each of the Parties referred to in paragraph 1 of Article 17, and to each of the Parties having acceded to the present Convention, a certified true copy of the said instruments and of the record of deposit.
- (2) The depositary shall transmit certified true copies of the present Convention, in the languages referred to in Article 22, to each of the Parties referred to in paragraph 1 of Article 17, and to each of the Parties having acceded to the present Convention.

- (3) The depositary shall ensure the notification and communication without delay to each of the Parties referred to in paragraph 1 of Article 17, and to each of the Parties having adhered to the present Convention, of:
- a) any new signature and the date on which such signature occurred;
 - b) the documents referred to in paragraph 2 of Article 19;
 - c) the texts of each amendment to the present Convention and to its attachments, in the languages referred to in Article 22;
 - d) the date of the entry into force of the present Convention, and of the amendments to the present Convention and its attachments;
 - e) communications from the Contracting Parties notifying their opposition to an amendment to the attachments, and any other communication prescribed in any of the Articles of the present Convention;
 - f) any notice of termination of the present Convention and the date on which it is to take effect.

Article 22

Languages

The present Convention is drawn up in a single original copy in German, French and Dutch, each text having equal authority.

In witness whereof the undersigned, duly authorised for the purpose, have signed the present Convention.

Done at Strasbourg, 09 September 1996

For the Federal Republic of Germany

(s.) Adolf RITTER von WAGNER

(s.) Hans Jochen HENKE

For the Kingdom of Belgium

(s.) Théo L.R. LANSLOOT

The signature also commits the Flemish Region,
the Walloon Region, and the Brussels-Capital region.

For the French Republic,

(s.) Marc PERRIN de BRICHAMBAUT

For the Grand Duchy of Luxembourg

(s.) Carlo MATHIAS

For the Kingdom of the Netherlands

(s.) Anne-Marie JORRITSMA-LEBBINK

For the Swiss Confederation

(s.) Mathias KRAFFT

For a certified true copy :
(s.) Hans VAN DER WERF
General Secretary

ANNEX 1

TO THE CONVENTION ON THE COLLECTION, DEPOSIT AND RECEPTION OF WASTE GENERATED DURING NAVIGATION ON THE RHINE AND OTHER INLAND WATERWAYS

Amended by Resolution CDNI 2012-I-1

Waterways referred to in Article 2

Germany:

All inland waterways intended for general traffic with the exception of the German part of Lake Constance and the stretch of the Rhine upstream of Rheinfelden.

Belgium:

All waterways accessible to inland navigation.

France:

Part A of the Implementing
Regulation:

The Rhine, the canalised Moselle as far as
Metz (km 298.5)

Parts B and C of the
Implementing Regulation:

The Rhine, the canalised Moselle as far as
Neuves-Maisons (km 392.45), the Niffer-Mulhouse
canal, the canal between the lock at Pont Malin
(km 0.0) and the border between France and
Belgium (km 36.561), the wide-gauge canal
between the lock at Pont Malin (km 0.0) and the
lock at Mardyck (km 143.075), the canal between
Bauvin (km 0.0) and the border between France
and Belgium (km 33.850).

Grand Duchy of Luxembourg:

The Moselle.

Netherlands:

All waterways accessible to inland navigation.

Switzerland:

The Rhine between Basel and Rheinfelden.

ANNEX 2

TO THE CONVENTION ON THE COLLECTION, DEPOSIT AND RECEPTION OF WASTE GENERATED DURING NAVIGATION ON THE RHINE AND OTHER INLAND WATERWAYS

Implementing Regulation

- Part A** The collection, deposit and reception of oily and greasy waste generated from the operation of the vessel
- Part B** The collection, deposit and reception of cargo-related waste
- Part C** The collection, deposit and reception of other waste generated from the operation of the vessel

Appendices:

- I.** Model used-oil log
- II.** Requirements concerning the stripping system
- III.** Unloading standards and prescriptions on deposit and reception with a view to authorising the disposal of wash water, rainwater and ballast water containing cargo residues.
- IV.** Model unloading attestation
- V.** Limit and control values for sewage treatment plants on board passenger ships

PART A

THE COLLECTION, DEPOSIT AND RECEPTION OF OILY AND GREASY WASTE GENERATED FROM THE OPERATION OF THE VESSEL

CHAPTER I

OBLIGATIONS INCUMBENT ON THE RECEPTION STATIONS

Article 1.01

Attestation of deposit

Reception station operators attest to the vessel the deposit of oily and greasy waste generated from the operation of the vessel in the used-oil log in accordance with Annex I.

CHAPTER II

OBLIGATIONS INCUMBENT ON THE BOATMASTER

Article 2.01

Prohibition of dumping and discharging

- (1) Dumping or discharging oily and greasy waste generated from the operation of the vessel into the waterway is prohibited.
- (2) In the event of the waste referred to in paragraph 1 above escaping or threatening to escape, the boatmaster must notify the nearest competent authority without delay, indicating as precisely as possible where the incident has occurred and the quantity and nature of the substance involved.
- (3) The prohibition referred to in paragraph 1 shall not cover the discharge into the waterway of water separated by approved oil separator vessels if the maximum residual oil content at the outlet is at all times and without prior dilution in compliance with national regulations.

Article 2.02

Collection and treatment on board

- (1) The boatmaster must ensure the separate collection on board of oily and greasy waste generated from the operation of the vessel in containers provided for that purpose and the bilge water in the bilge of the engine rooms.

The containers must be stored on board in such a way that any leak may be readily noticed and preventive measures adopted in good time.

- (2) The following shall be prohibited:
 - a) the use of mobile reservoirs stored on deck as reservoirs for the collection of used oil;
 - b) the burning of waste on board;
 - c) the addition to engine room bilges of cleaning products that dissolve oil and grease or have an emulsifying effect, with the exception of products that do not make it any more difficult for the reception stations to treat the bilge water.

Article 2.03

Used-oil log, deposit at reception stations

- (1) Each motorised vessel that uses gas oil must have on board a valid used-oil log, issued by the competent authority in accordance with the model in Appendix I. This record book must be kept on board. After renewal, the previous record book must be kept on board for at least six months after the last entry made in it.

- (2) Oily and greasy waste generated from the operation of the vessel shall be delivered, against a receipt, to the reception stations at regular intervals, depending on the condition and operation of the vessel. This proof shall consist of an entry in the used-oil log made by the reception station.
- (3) Seagoing vessels that have a Oil Control Book as provided for in the International Convention for the Prevention of Pollution from Ships (Marpol) are not required to keep the record book referred to in paragraph 1.

CHAPTER III

ORGANISATION AND FINANCING OF THE ELIMINATION OF OILY AND GREASY WASTE GENERATED FROM THE OPERATION OF THE VESSEL

Amended by Resolution 2010-II-1

Article 3.01

Definitions

For the purposes of this chapter, the terms below shall be construed as follows:

- a) “**Vessel operator**” means the natural or legal person responsible for the ongoing tasks pertaining to the vessel's operation, in particular for the purchase of the fuel that is used, alternatively the vessel's owner;
- b) “**SPE-CDNI**” means the electronic payment system encompassing accounts (ECO accounts), magnetic cards (ECO cards) and mobile electronic terminals.

Article 3.02

National institution

The national institution levies the disposal charge and submits to the International Clearance and Coordination Body proposals for defining the network of reception stations necessary at the national level. Its tasks also include the regular recording in accordance with an internationally uniform model of what quantities of oily and greasy waste generated from the operation of the vessel have been eliminated, and the sum of the disposal charges received. The national institution or competent authority shall monitor disposal costs. The national institution is represented on the International Clearance and Coordination Body and must in particular pay the provisional and definitive amounts determined by that body that are due to other national institutions under the financial clearance scheme on the appointed dates.

Article 3.03

Levying of the disposal charge

- (1) The disposal charge for the first year shall be 7.5 euros (plus VAT) per 1000 litres of gas oil supplied. The volume of gas oil sold is the volume at 15°C.
- (2) The party liable for paying the disposal charge is the vessel operator.
- (3) The disposal charge shall be due when bunkering. As a transaction amount it must be in proportion to the quantity of gas oil dispensed.
- (4) The disposal charge is paid using the SPE-CDNI. The SPE-CDNI is operated by the national institutions.

- (5) The disposal charge payment process using the SPE-CDNI is based on the principle whereby the vessel operator pays an appropriate amount to a national institution, which will be used to pay for future outstanding disposal charges. The process comprises the following elements:
- a) the opening of an ECO account by the vessel operator or his agent with the national institution of his choice;
 - b) the issuing by this national institution of one or a number of ECO cards providing access to the ECO account participating in the charge transaction;
 - c) the remittance by the vessel operator or his agent to the bank account of the national institution in question in favour of the relevant ECO account of a sufficient amount to pay the disposal charge;
 - d) the debiting of the disposal charge from the relevant ECO account when bunkering using an ECO card and the processing of the transaction by means of a mobile electronic terminal by the bunkering station. To this end, the boatmaster presents the ECO card to the bunkering station during the bunkering process.
- (6) In derogation to paragraph 4 the vessel operator shall pay the disposal charge by means of a written process in the following instances:
- a) the SPE-CDNI is defective or out of operation;
 - b) the boatmaster fails to present an ECO card or the ECO card presented is invalid;
 - c) there is insufficient credit on the ECO account.
- (7) In the cases specified in paragraph 6, the bunkering station shall, within a period not exceeding seven calendar days, furnish the national institution of the country in which the bunkering has taken place with the information required to pay the disposal charge pertaining to the corresponding supply of gas oil. The national institution shall take the required measures to levy the outstanding charges. If required, it may assign the process to one of the other national institutions.
- (8) For transactions falling under paragraph 6, sub-sections b) and c), the vessel operator shall be required to pay administration charges to the national institution of the country in which the bunkering occurred; the amount of these charges shall be determined by the International Clearance and Coordination Body for all Contracting Parties on a consistent basis.
- (9) In individual cases in which, from these national institutions' perspective, it is inappropriate to apply the process according to paragraphs 4 and 5 as regards convenience of payment, a national institution may enact individual exceptional regulations in relation to the supply of gas oil and the payment of the disposal charge. These exceptional regulations, which are to be notified to the International Clearance and Coordination Body, must otherwise comply with the provisions of this chapter.

- (10) The methods for this procedure are to be determined at the national level after coordination within the International Clearance and Coordination Body.

Article 3.04

Monitoring the levying of the disposal charge and the cost of reception and elimination

- (1) Attestation of receipt is to be issued by the bunkering station for each gas oil withdrawal. It must include the following information as a minimum: the vessel's name, unique European Vessel Identification Number or other information uniquely identifying the vessel, name of the vessel operator or boatmaster, quantity of gas oil supplied/dispensed (in litres equating to the volume at 15°C, rounded down to the nearest full litre), date and place, signature of the boatmaster and bunkering station.
- (2) The receipt issued by the SPE-CDNI for the charge transaction is to be attached to the attestation of receipt. A copy of the proof of supply and of the receipt is given to the boatmaster who is required to keep them on board for a minimum of twelve months. A further copy of the proof of supply and of the receipt shall remain with the bunkering station for a minimum of twelve months.
- (3) When using the written procedure in paragraph 6 of Article 3.03, the bunkering station shall note on the proof of supply that the vessel operator has not paid the disposal charge.
- (4) The concordance between the quantities of gas oil supplied to vessels and the total disposal charges paid shall be checked by the national institution or the competent authority on the basis of the documentation to be presented by the bunkering stations attesting to the supply of the gas oil.
- (5) The competent authority may board vessels to verify payment of the disposal charge and the quantities of oily and greasy waste generated from the operation of the vessel, in particular by comparing the journeys carried out entered in the appropriate shipboard documents with the information shown in the document attesting to the supply of the gas oil.
- (6) The national institution or the competent authority may check with the reception stations the data on the quantities eliminated and the cost of disposal based on the appropriate documents.
- (7) The national institution or the competent authority may check with the bunkering stations the data on the quantities of gas oil supplied to vessels liable to payment of the charge.
- (8) The methods for this procedure are to be determined at the national level after coordination within the International Clearance and Coordination Body.

CHAPTER IV

INTERNATIONAL FINANCIAL CLEARANCE

Article 4.01

International Clearance and Coordination Body

Amended by Resolution 2010-II-1

- (1) The International Clearance and Coordination Body shall meet once a year in the final quarter in order to decide on the financial clearance for the previous year and, if appropriate, to propose to the Conference of Contracting Parties a change in the amount of the disposal charge and any change that may be necessary in the network of reception stations in place in the light of the requirements of navigation and the efficiency of elimination. It may meet at any time if the representatives of two national institutions so request.
- (2) The International Clearance and Coordination Body defines standard processes and arrangements for effecting the provisional and annual financial equalisation.
- (3) All financial transactions to do with the disposal charge are in euros.

Article 4.02

Provisional financial clearance

Amended by Resolution 2010-II-1

- (1) The national institutions report to the secretariat of the International Clearance and Coordination Body each quarter, on 1 February, 1 May, 1 August and 1 November
 - a) the quantities of oily and greasy waste received and eliminated in the course of the previous quarter;
 - b) the total cost of the reception and disposal of the quantities indicated under sub-section a) above;
 - c) the quantities of gas oil dispensed to vessels liable to payment of an disposal charge;
 - d) the total amount of disposal charge receipts;
 - e) the financial consequences of the measures referred to in the fifth sentence of paragraph 1 of Article 6 of the present Convention.

The details of the process are defined by the International Clearance and Coordination Body.

- (2) On the basis of the figures communicated in compliance with paragraph 1 above and by applying the clearance procedure provided for in Article 4.04 below, the International Clearance and Coordination Body shall calculate the provisional amounts for the quarterly financial clearance and transmits them to the national institutions within four weeks of receipt of the reports.

- (3) Those national institutions in a debtor position under the quarterly financial clearance shall be required to make the payments due to the national institutions in a creditor position within a period of four weeks following receipt of the payment order.

Article 4.03

Annual financial clearance

Amended by Resolution 2010-II-1

- (1) The national institutions shall present their annual accounts for the previous year to the secretariat of the International Clearance and Coordination Body no later than 15 October of the current year. At its ordinary meeting, the International Clearance and Coordination Body shall determine the financial clearance for the previous year.
- (2) The national institutions shall be required to make payments due under the definitive financial clearance for the previous year in compliance with paragraph 3 of Article 4.02.

Article 4.04

Financial clearance procedure

- (1) The financial clearance referred to in Articles 4.02 and 4.03 above shall be determined as follows for each national institution:

$$C_n = \frac{Z_n}{\sum Z_n} \cdot \sum X_n - X_n$$

Where

C_n = amount of clearance of a national institution N.
positive sign: the institution receives a financial clearance payment
negative sign: the institution is required to make a financial clearance payment

X_n = revenue of a national institution N from disposal charges under paragraph 1 of Article 4.02 above;

Z_n = actual cost to a national institution N of reception and disposal under paragraph 1 of Article 4.02 above;

$\sum X_n$ = total revenue from disposal charges of all the national institutions;

$\sum Z_n$ = sum of the actual cost of reception and disposal of all the national institutions.

- (2) Clearance amounts C_n that are less than a minimum percentage of a national institution N's revenue from the disposal charge shall not be included in clearance. The minimum percentage is laid down by the International Clearance and Coordination Body.

PART B

**COLLECTION, DEPOSIT AND RECEPTION OF CARGO-RELATED
WASTE**

Chapter V

GENERAL PROVISIONS

Article 5.01
Definitions

As construed in this part, the terms below shall have the following meanings:

- a) **“Exclusive transport operations”** means successive transport operations during which the same cargo or another cargo, the carriage of which does not require the prior cleaning of holds or cargo tanks, is carried in the vessel’s hold or cargo tank;
- b) **“Residual cargo”** means liquid cargo remaining in the cargo tanks or in the piping after unloading when a stripping system has not been used, and dry cargo remaining in the holds after unloading before manual or mechanical sweepers or suction facilities are used;
- c) **“Cargo residues”** means liquid cargo which cannot be discharged from cargo tanks or piping using the stripping system and dry cargo which cannot be removed from the hold by the use of manual or mechanical sweepers or suction facilities;
- d) **“Stripping system”** means a system in compliance with Appendix II for draining the cargo tanks as completely as possible and stripping the cargo piping except for the cargo residues that cannot be evacuated;
- e) **“Handling residues”** means cargo that falls on the vessel outside the hold in the course of handling;
- f) **“Swept hold”** means a hold cleared of residual cargo by cleaning methods such as brooms or mechanical sweepers, but without the use of suction or washing apparatus and containing only cargo residues;
- g) **“Stripped cargo tank”** means a cargo tank from which residual cargo has been removed using a stripping system and containing only cargo residues;
- h) **“Vacuum cleaned hold”** means a hold from which residual cargo has been removed using suction equipment and containing considerably fewer cargo residues than a swept hold;

- i) **“Unloading of residual cargo”** means the removal of residual cargo from the holds and from the cargo tanks and piping using suitable means (e.g. brooms, mechanical sweepers, suction equipment, stripping system) enabling the unloading standard
“swept hold”, or
“vacuum cleaned hold”, or
“stripped tank”
to be achieved, as well as the evacuation of handling residues and packaging and stowage materials;
- j) **“Washing”** means the removal of cargo residues from the swept or vacuumed hold or the stripped cargo tank using steam or water;
- k) **“Washed hold or tank”** means a hold or tank which following washing is suitable for any category of cargo;
- l) **“Wash water”** means water from the washing of swept or vacuumed holds or stripped cargo tanks; it also includes ballast water or rainwater from these holds or cargo tanks.

Article 5.02

Obligation incumbent on the Contracting States

The Contracting States shall undertake to set up, or to have set up, the infrastructure and other conditions necessary for the deposit and reception of residual cargo, handling residues, cargo residues and wash water within a period of five years following the present Convention entering into force.

Article 5.03

Seagoing vessels

This Part B shall not apply to either the loading or unloading of seagoing vessels in sea ports located on maritime navigation routes.

Chapter VI

OBLIGATIONS INCUMBENT ON THE BOATMASTER

Article 6.01

Prohibition of dumping and discharging

- (1) The dumping or discharging of any part of the cargo or cargo-related waste from vessels into the waterway is prohibited.
- (2) The prohibition referred to in paragraph 1 above shall not apply to wash water containing cargo residues for which discharging into the waterway is specifically authorised in compliance with Appendix III on condition that the provisions of the said Appendix are observed.
- (3) In the event of substances, which in Appendix III are exclusively prescribed to be deposited for special processing, escaping or threatening to escape, the boatmaster must notify the nearest competent authority without delay, indicating as precisely as possible where the incident has occurred and the quantity and nature of the substance involved.
- (4) The competent national authority shall assess the permissibility of dumping or discharging cargo-related waste from goods that are not included on the list of goods set out in Appendix III and lay down a provisional discharge standard.

The Conference of the Contracting Parties shall examine the proposal and complement the list of goods as appropriate.

Article 6.02

Transitional provisions

- (1) The following transitional provisions shall be applicable for a period of five years after the present Convention enters into force
 - a) for dry cargoes:
 - instead of a “vacuum cleaned” unloading standard required in Annex III, the “swept condition” shall be permitted;
 - where in Appendix III wash water is to be discharged into the waste water system, discharging in the waterway is authorised if the “swept condition” unloading standard has been respected;
 - b) for liquid cargoes:

the drying of cargo tanks in compliance with Article 7.04 is not demanded, but the existing systems must be used as far as possible even if they are not yet in compliance with Appendix II.

- (2) If the preconditions to meet the “vacuumed condition” unloading standard for the deposit of wash water with reception stations or for the stripping of tank vessels are fulfilled, the competent national authority may prescribe, over all or part of its territory, that even before the end of the transitional period the provisions of Appendix III are to be observed without restriction for the types of goods concerned. The competent national authority shall first inform the Conference of Contracting Parties.

Article 6.03

Attestation of unloading

Amended by Resolution 2012-I-2

- (1) Any vessel that has been unloaded within the jurisdiction of the present Convention must have on board a valid attestation of unloading issued in compliance with Appendix IV.

This attestation of unloading must be kept on board for at least six months after its issue.

Where this is a vessel without a crew, the attestation of unloading may be kept by the carrier in a place other than on board.

- (2) When unloading the residual cargo and depositing and receiving cargo-related waste, the unloading standards and the prescriptions of Appendix III concerning deposit and reception shall apply.
- (3) After loading, the vessel may not continue its journey until the boatmaster has satisfied himself that the handling residues have been removed.
- (4) After unloading, the vessel may not continue its journey until the boatmaster has confirmed in the attestation of unloading that the residual cargo and the handling residues has been taken care of.
- (5) The provisions of paragraph 4 above shall not apply to vessels engaged in exclusive transport operations.
- (6) When the holds or cargo tanks are washed out and the wash water may not be discharged into the waterway by virtue of the unloading standards and the prescriptions of Appendix III on deposit and reception, the vessel may not continue its journey until the boatmaster has confirmed in the attestation of unloading that the wash water has been deposited or that he has been assigned a reception station.
- (7) Paragraphs 1 and 4 do not apply to vessels which by their type and design are suitable for, and are used for:
- a) transporting containers,
 - b) transporting mobile cargo (ro-ro), break bulk and heavy cargo and large equipment,
 - c) delivering fuels, drinking water and shipboard supplies to seagoing and inland navigation vessels (supply vessels),
 - d) collecting oily and greasy waste from seagoing and inland navigation vessels,

- e) transporting liquefied gases (ADN type G),
- f) transporting liquid sulphur (at 180 °C), cement powder, fly ash and comparable loads that are carried as bulk material or a pumpable cargo, employing an appropriate and dedicated system for loading, unloading and storing the cargo onboard,
- g) transporting sand, gravel or dredged material from the dredging location to the place of unloading if the vessel in question has been built and equipped solely for such transportation,

where the vessel in question has also really transported only the aforementioned loads or cargoes and did so as its last cargo.

This provision shall not apply to the carriage of mixed cargoes using such vessels.

Should equivalent conditions exist, the competent authority may on a case by case basis exempt a vessel from applying paragraphs 1 and 4 when engaged in special transport operations. Proof of this exemption is to be carried onboard the vessel.

- (8) Paragraphs 1 and 4 also shall not apply to transport movements entailing unloading into a seagoing vessel. The boatmaster shall be required to provide evidence of this unloading in the form of the relevant transport documents and present the papers to the supervisory authorities on request.

CHAPTER VII

OBLIGATIONS INCUMBENT ON THE CARRIER, THE CHARTERER, THE CONSIGNEE, AND ON THE OPERATOR OF THE HANDLING FACILITY/STEVEDORE

Article 7.01

Attestation of reception

- (1) In the attestation of unloading referred to in Article 6.03 above, the consignee shall attest to the vessel the unloading of the cargo, the unloading of residual cargo, and, insofar as is incumbent on the vessel, the washing of the holds or cargo tanks and reception of cargo-related waste or, as appropriate, the assignment of a reception station.
- (2) If the consignee does not himself collect the wash water that may not be discharged into the waterway, the operator of the reception station shall attest to the vessel the reception of the wash water.

Article 7.02

Making the vessel available

- (1) The carrier shall make the vessel available to the charterer under an unloading standard such that the cargo may be transported and delivered unimpaired. As a general rule, this means the "swept hold" or "stripped tank" unloading standard, with the vessel free of any handling residues.
- (2) A more demanding unloading standard or washing may be agreed in advance.
- (3) When loading operations commence, the vessel is deemed to have been made available by its operator in a condition that corresponds to the demands provided for in paragraph 1 or 2 above.

Article 7.03

Loading and unloading

- (1) The loading and unloading of a vessel also include the measures necessary for the discharge of residual cargo and wash water, provided for by the provisions of this Part B. Residual cargo must, as far as possible, be added to the cargo.
- (2) When loading, the charterer must ensure that the vessel remains free of handling residues. Should such residues be produced nevertheless, the charterer shall ensure their removal after loading, unless otherwise agreed.
- (3) When unloading, the consignee must ensure that the vessel remains free of handling residues. Should such residues be produced nevertheless, the consignee shall ensure their removal. Handling residues must, as far as possible, be added to the cargo.

Article 7.04

Return of the vessel

- (1) For dry cargoes, the consignee must ensure that, after unloading, the hold is returned in a swept or vacuumed condition in accordance with the unloading standards and the prescriptions concerning deposit and reception set out in Appendix III. He shall be required to collect any residual cargo and any handling residues produced on board the unloaded vessel.

For liquid cargoes, the charterer must ensure that, after unloading, the tank is returned in a stripped condition. Unless provided for otherwise in the transport contract, the boatmaster shall carry out the unloading, including the unloading of residual cargo, using a stripping system. The piping intended for collecting residual cargo must be fitted with a connection system that complies with Model 1 in Appendix II. When the on-board stripping system is being used, the counter-pressure in the piping system of the consignee, before the stripping operation commences, must be less than 3 bars. The operator of the handling facility shall be required to receive the residual cargo.

- (2) The obligation to return the hold or tank in a washed condition shall be incumbent on the consignee in the case of a dry cargo and on the charterer in the case of a liquid cargo if
 - a) the vessel was in that condition before it was last loaded and, where washing is incumbent on the consignee, proof is supplied by the attestation of unloading drawn up for the preceding cargo and if
 - b) the vessel has transported goods for which the cargo residues mixed with the wash water may not be dumped into the waterway by virtue of the unloading standards and prescriptions on deposit and reception in Appendix III.
- (3) Paragraphs 1 and 2 above shall not apply to the holds and cargo tanks of vessels carrying out exclusive transport operations.
- (4) If, on completion of the agreed loading duration or agreed number of lay days, the consignee or the charterer does not return the vessel in compliance with the provisions of the present Article and those of Article 7.03 above, the carrier may put the vessel in the prescribed condition or have this done. All costs incurred, including consequential demurrage costs, provided the carrier is not at fault, shall be borne by the consignee or the charterer.

Article 7.05

Cargo residues and wash water

- (1) For dry cargoes, the consignee shall be required to receive the wash water produced after washing in compliance with paragraph 2 of Article 7.04 or, after consultation with the carrier, to assign a reception station to the boatmaster.

- (2) For liquid cargoes, the charterer shall be required, in the transport contract, to assign the carrier a reception station for the wash water produced after washing in compliance with paragraph 2 of Article 7.04.
- (3) The reception station should be located near the handling facility or en route to the vessel's next place of loading or unloading.

Article 7.06

Cost

- (1) For dry cargoes, the cost incurred in discharging remnants and washing holds in accordance with Article 7.04 above and in receiving wash water in accordance with paragraph 1 of Article 7.05 above, including any costs incurred by waiting time and detours as a consequence, shall be borne by the consignee. The same shall also apply in respect of the costs incurred for rainwater that has penetrated the holds after loading has commenced and before completion of the unloading referred to in paragraph 1 of Article 7.03, where there has been no agreement to transport the cargo in a covered hold.

In the case of exclusive transport for the same charterer, the latter shall be required to collect, at his expense, prior to loading, the rainwater that has penetrated the holds since the end of the previous unloading.

- (2) For liquid cargoes, the cost incurred in discharging remnants and washing cargo tanks in accordance with Article 7.04 and in receiving wash water in accordance with paragraph 2 of Article 7.05 above, including if appropriate the resulting cost of waiting and detours, shall be borne by the charterer.
- (3) The cost of depositing wash water from the holds and cargo tanks that do not comply with the prescribed unloading standards shall be borne by the carrier.

Article 7.07

Agreement between the charterer and the consignee

The charterer and the consignee may also agree between themselves a distribution of their obligations that is different to that provided for in the present Annex on condition that this does not impact on the carrier.

Article 7.08

Transfer of rights and obligations incumbent on the charterer or the consignee to the operator of the handling facility

If the charterer or the consignee makes use of the services of a handling facility when loading or unloading a vessel, the operator of this installation shall subrogate the rights and obligations incumbent on the charterer or the consignee referred to in paragraph 1 of Article 7.01, and in Articles 7.03, 7.04 and 7.05. As regards Article 7.06, such subrogation shall only apply to the cost of the removal and reception of the handling residues.

Article 7.09

Transport documents

The charterer shall indicate on the transport contract and in the transport documents the name and the four-digit number according to Appendix III for each category of cargo handed over for transportation.

PART C
COLLECTION, DEPOSIT AND RECEPTION
OF OTHER WASTE GENERATED FROM THE OPERATION OF THE VESSEL

CHAPTER VIII
GENERAL PROVISIONS

Article 8.01

Definitions

As construed in this part, the terms below shall have the following meanings:

- a) **“Domestic waste water”** means wastewater from galleys, dining rooms, washing facilities and laundry facilities, and water containing faecal matter;
- b) **“Domestic refuse”** means organic and inorganic waste from household and galley sources on board, but not containing any other defined types of waste generated from the operation of the vessel;
- c) **“Cleansing slurry”** means residue produced on board the vessel by the operation of an on-board sewage plant;
- d) **“Slops”** means cargo residues mixed with leftover water from swabbing, rust and sludge, which may or may not be suitable for pumping;
- e) **“Other special waste”** means waste generated from the operation of the vessel other than oily and greasy waste and other than the waste referred to in sub-sections a) to d);
- f) **“Cruise vessel”** means a passenger vessel with cabins for the overnight accommodation of passengers.

Article 8.02

Obligations incumbent on the Contracting States

- (1) The Contracting States undertake to make reception stations for domestic refuse available, or to have them made available
 - a) at cargo handling facilities or in ports,
 - b) at dedicated berthing locations for passenger vessels mooring there,
 - c) at certain holding areas and locks for vessels passing through.

- (2) The Contracting States undertake to install reception stations for slops and for other special waste in ports, or to have them installed, within no more than five years of the present Convention entering into force.
- (3) The Contracting States undertake to install reception stations for domestic waste water at certain mooring locations used as habitual or overnight berthing positions, or to have them installed, in compliance with the provisions of the first paragraph of Article 4 of the present Convention, no later than the dates indicated in paragraph 3 of Article 9.01:
 - a) for cruise vessels with more than 50 sleeping berths, and,
 - b) for passenger vessels permitted to carry more than 50 passengers.

CHAPTER IX

OBLIGATIONS INCUMBENT ON THE BOATMASTER

Article 9.01

Prohibition of dumping and discharging

- (1) Dumping or discharging domestic refuse, slops, cleansing slurry and other special waste into the waterway from vessels is prohibited.
- (2) In the event of the waste referred to in paragraph 1 above escaping or threatening to escape, the boatmaster must notify the nearest competent authority without delay, indicating as precisely as possible where the incident has occurred and the quantity and nature of the substance involved.
- (3) The dumping of domestic waste water is prohibited in the case of:
 - a) cruise vessels with more than 50 sleeping berths, after 1 January 2005,
 - b) passenger vessels permitted to carry more than 50 passengers, from 1 January 2010 onwards.

In all other cases the dumping of domestic waste water into the water shall be authorised.

- (4) The prohibition provided for in paragraph 3 above shall not apply to passenger vessels with an on-board sewage treatment plant that meets the limit and check values mentioned in Appendix V.
- (5) The prohibition provided for in paragraph 3 above shall not apply to seagoing vessels in seaports located on maritime navigation routes on condition that they are subject to the provisions of the International Convention for the Prevention of Pollution from Ships (Marpol).

Article 9.02²

Waivers of the prohibition on dumping domestic waste water

The Contracting States may agree, for those vessels referred to in paragraph 3 of Article 9.01 for which the prohibition on dumping domestic waste water is difficult to achieve in practice or would incur unreasonable expense, an appropriate procedure for making waivers possible and lay down the conditions under which such waivers may be considered as being equivalent.

² 2013-II-5

Article 9.03*Collection and treatment on board; deposit at reception stations**Amended by Resolution 2013-II-6*

- (1) The boatmaster must ensure that the waste referred to in paragraph 1 of Article 9.01 is collected and deposited separately. If possible, domestic refuse should be deposited separately in the following categories: paper, glass, other recyclable materials, and other waste.
- (2) The waste referred to in paragraph 1 of Article 9.01 may not be incinerated on board.
- (3) The operators of passenger vessels fitted with an on-board sewage treatment plant that complies with Appendix V must themselves ensure that the cleansing slurry is properly deposited and appropriately corroborated in accordance with national regulations.
- (4) The master of a passenger vessel subject to the prohibition on the dumping of domestic waste water under paragraph 3 of article 9.01 shall be required to ensure that the domestic waste water is collected onboard the vessel in an appropriate manner and deposited at a reception station or facility in accordance with paragraph 3 of article 8.02 where the passenger vessel does not possess an on-board sewage treatment plant in accordance with paragraph 4 of article 9.01.

CHAPTER X

OBLIGATIONS INCUMBENT ON THE OPERATOR OF THE RECEPTION STATION

Article 10.01

Reception by the reception stations

- (1) The operator of the reception station must ensure that the waste referred to in paragraph 1 of Article 9.01 can be deposited separately.
- (2) The operator of the reception station must attest to the boatmaster that the slops have been deposited in compliance with the national regulations.

APPENDICES

Appendix 1
TO THE IMPLEMENTING REGULATION

MODEL USED-OIL LOG

USED-OIL LOG

Sequential no.:

.....
Vessel type Vessel name

Official number
or measurement mark:

Issuing location:

Date issued:

This book contains pages

Stamp and signature of the authority
that issued this used-oil log

.....

Issuing of used-oil logs

The first used-oil log, bearing the sequential number 1 on page 1, is to be issued only by the authority that issued the vessel certificate. It also enters the information provided for on page 1.

All subsequent used-oil logs will be numbered with the next sequential number and issued by the local authority in charge but only against presentation of the previous used-oil log. The previous used-oil log is indelibly stamped "void" and returned to the vessel's master. It is to be retained on board for a further six months after the last entry.

1. Acceptable oily and greasy waste generated from the operation of the vessel

- 1.1 Used oil l
- 1.2 Bilge water from the
 - aft engine compartment l
 - forward engine compartment l
 - other compartments l
- 1.3 Other oily and greasy waste
 - Used cloths kg
 - Used grease kg
 - Used filters units
 - Containers units

2. Remarks:

2.1 Rejected waste
.....
.....

2.2 Other remarks:
.....
.....

Place

Date

Stamp and signature of the reception station

APPENDIX II
TO THE IMPLEMENTING REGULATION
(ARTICLE 5.01, SUB-SECTION D)

REQUIREMENTS CONCERNING THE STRIPPING SYSTEM

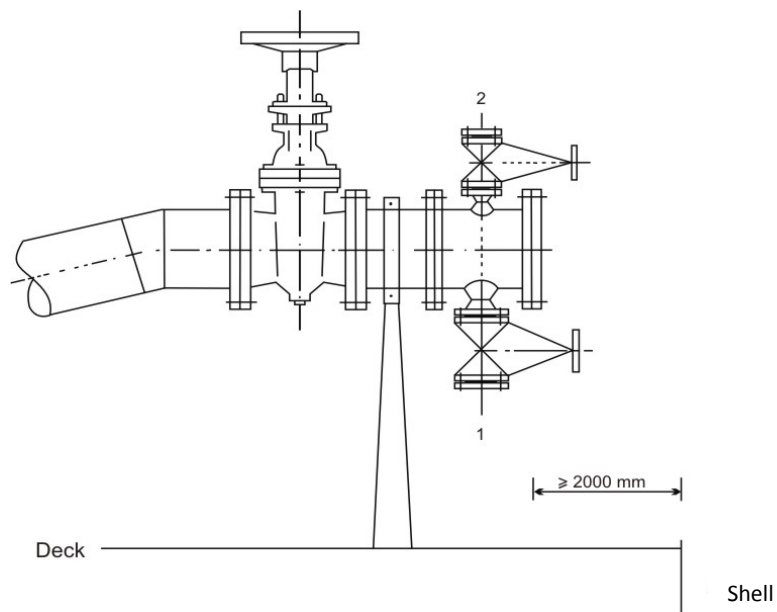
- (1) The stripping system must be permanently installed aboard the vessel.
- (2) The shore connection of the loading and unloading pipe used for loading and unloading must be fitted with a system for depositing the residual cargo in compliance with **model 1**.
- (3) Prior to commissioning, the stripping system must be checked by an inspecting body accredited by the competent authorities using water as the test medium. The residues will be checked and classified in compliance with **model 2**. Should the system be subsequently modified the same check is to be performed prior to recommissioning.

The following residue volumes may not be exceeded:

- i) for double hull vessels
 - a) 5 litres on average per tank,
 - b) 15 litres per pipeline system.
- ii) for single hull vessels
 - a) 20 litres on average per tank,
 - b) 15 litres per pipe system.

The residues found upon conclusion of the stripping inspection must be entered in an attestation in compliance with **model 3**. This attestation must be held on board the vessel.

Residue discharge system
Amended by Resolution 2011-I-4



Connection for discharging residues.
Connection pursuant to standards:
- EN 14 420-6 DN 50 (male connector) or
- EN 14 420-7 DN 50 (male connector).

Connections/couplings complying with more stringent or equivalent safety requirements may be used as an alternative.

Testing the stripping system

- (1) Before the test commences, the cargo tanks and associated piping must be clean. It must be possible to enter the cargo tanks without risk.
- (2) While the test is in progress the vessel's trim and heel angle must not exceed normal operating limits.
- (3) During the test, there must be a guaranteed counter-pressure of at least 300 kPa (3 bar) at the discharge system of the unloading pipe.
- (4) The test must comprise:
 - a) the filling of the cargo tank with water until the suction intake in the tank is below water;
 - b) the pumping out of the cargo tanks and the emptying of the tank and associated piping by means of the stripping system;
 - c) the collection of the water residues at the following locations:
 - in the vicinity of the suction intake;
 - on the floor of the tank in which water has remained;
 - at the lowest point of the discharge pump;
 - at the lowest points of the associated piping as far as the discharge system.
- (5) The quantity of water collected under paragraph 4 of letter c must be precisely determined and entered in the test attestation in accordance with model 3.
- (6) The competent authority or recognised classification society must define all the operational processes required for the test in the test attestation.

This attestation must contain the following information at a minimum:

 - The vessel's trim during the test;
 - The vessel's heel angle during the test;
 - Sequence in which the cargo tanks were unloaded;
 - Counter-pressure at the discharge system;
 - Amount of residue per tank;
 - Amount of residue per pipe system;
 - Duration of the stripping process;
 - Completed tank schematic.

**Attestation
of the testing of the stripping system**

Accredited inspecting body / Name

Address :

1. Vessel name :
2. Official number or calibration mark :
3. Tanker of type :
4. Certificate of approval number :
5. Test date :
6. Test location :
7. Number of cargo tanks :

8. The following residue quantities were measured during the test:

cargo tank 1: litres	cargo tank 2: litres
cargo tank 3: litres	cargo tank 4: litres
cargo tank 5: litres	cargo tank 6: litres
cargo tank 7: litres	cargo tank 8: litres
cargo tank 9: litres	cargo tank 10: litres
cargo tank 11: litres	cargo tank 12: litres

Average per cargo tank : litres

Pipe system 1: litres

Pipe system 2: litres

9. During the test the counter-pressure at the discharge system was: kPa.
10. The cargo tanks were unloaded in the following sequence:
cargo tank, cargo tank, cargo tank, cargo tank, cargo tank, cargo tank,
cargo tank, cargo tank, cargo tank, cargo tank, cargo tank, cargo tank
11. The vessel's trim during the test was.....m,
and the vessel's heel angle during the test was m to starboard/port.
12. The entire stripping process lasted..... hours.

Stamp

.....
(Date)

.....
(Inspector's name and signature)

**APPENDIX III
TO THE IMPLEMENTING REGULATION**

**UNLOADING STANDARDS AND
PRESCRIPTIONS ON DEPOSIT AND RECEPTION
WITH A VIEW TO AUTHORISING THE DISCHARGE OF
WASH WATER, RAINWATER AND BALLAST WATER
CONTAINING CARGO RESIDUES**

Unloading standards and prescriptions on deposit and reception with a view to authorising the discharge of wash water, rainwater and ballast water containing cargo residues

Replaced by Resolution 2009-II-2 ; Amended by Resolution 2011-I-5

Preliminary remarks

When discharging wash water, rainwater or ballast water with cargo residues from holds or cargo tanks that comply with the unloading standards defined in Part B, Article 5.01 of the Implementing Regulation, the regulations governing deposit/reception applicable to the cargo and to the hold and cargo tank unloading standard will be found in the following table. The columns of the table have the following meaning:

1. Column 1: Goods number according to the standard goods classification for transport statistics (NST)
2. Column 2: Type of goods as described in the NST
3. Column 3: Wash water, rainwater or ballast water may be discharged into the river provided that prior to washing the relevant unloading standard has been complied with:
 - A: swept hold or stripped tank
 - or
 - B: vacuum cleaned hold.
4. Column 4: Deposit of the wash water, rainwater or ballast water for discharging into the sewer system via the connections provided for that purpose provided that prior to washing the relevant unloading standard has been complied with:
 - A: swept hold or stripped tank
 - or
 - B: vacuum cleaned hold.
5. Column 5: Depositing of the wash water, rainwater or ballast water to reception stations for special treatment S. The treatment process depends on the type of cargo, e.g. spraying onto stored cargo, removal to a sewage treatment plant, processing in an appropriate waste water treatment plant.
6. Column 6: Information on comments in the footnotes.

Additional information on the use of this table

- a) If the holds or cargo tanks do not comply with the appropriate unloading standard A or B, then offloading for special treatment S is required.
- b) If cargo residues from different types of goods are present, their disposal will be dictated by the goods with the most stringent deposit/reception regulations in the table.
- c) When transporting shipments such as vehicles, containers, intermediate bulk containers, palletised and packaged goods, the deposit/reception regulations shall be determined by the loose or liquid goods contained in these shipments if goods have leaked out or otherwise escaped as a result of damage or loss of integrity.
- d) Rainwater and ballast water from washed holds or cargo tanks may be discharged into the river.
- e) Wash water from swept side decks and other slightly soiled surfaces such as hold hatch covers, roofs, etc. may be discharged into the river.

1	2	3	4	5	6
Commodity code	Type of goods	Discharged into the water	Turn over to collection points for		Remarks
			sewerage	special treatment	
0	AGRICULTURAL, FORESTRY AND RELATED PRODUCTS (incl. live animals)				
00	LIVE ANIMALS				
001	Live animals (except fish)				
0010	Live animals (except fish)	A	-		
01	CEREALS				
011	Wheat				
0110	Wheat	A	A		
012	Barley				
0120	Barley	A	A		
013	Rye				
0130	Rye	A	A		
014	Oats				
0140	Oats	A	A		
015	Maize				
0150	Maize	A	A		
016	Rice				
0160	Rice	A	A		
019	Other cereals				
0190	Buckwheat, millet, cereals, unspecified, mixed cereals	A	A		
02	POTATOES				
020	Potatoes				
0200	Potatoes	A	A		
03	FRESH FRUIT, FRESH AND FROZEN VEGETABLES				
031	Citrus fruit				
0310	Citrus fruit	A	A		
035	Other fresh fruit				
0350	Berries and fruit, fresh	A	A		
039	Fresh and frozen vegetables				
0390	Vegetables, fresh or frozen	A	A		
04	TEXTILES AND WASTE OF TEXTILE MATERIALS				
041	Wool and other animal hair				
0410	Wool and other animal hair	A	A		
042	Cotton				
0421	Cotton, cotton fibres, cotton wool	A	A		
0422	Cotton waste, linters	A	A		
043	Man-made fibres				
0430	Man-made fibres, e.g. synthetic fibres, rayon	A	A		
045	Other vegetable textile materials, silk				
0451	Flax, true hemp, jute, coconut fibres, sisal, tow	A	A		
0452	Fibre waste	A	A		
0453	Silk	A	A		
0459	Textile fibres, unspecified	A	A		
Remarks:					

1	2	3	4	5	6
Commodity code	Type of goods	Discharged into the water	Turn over to collection points for		Remarks
			sewerage	special treatment	
049	Rags and waste of textile material				
0490	Rags, cotton waste, textile waste	A	A		
05	WOOD AND CORK				
051	Paper and other pulp wood				
0511	Pulp wood, paper pulp	A	A		
0512	Wood for distillation	A	A		
052	Pit props				
0520	Pit props	A	A		1)
055	Other wood in the round				
0550	Wood in the round, logs	A	A		1)
056	Railway or tramway sleepers and other processed wood (except for pit props)				
0560	Beams, wood for floor boards, for parquet flooring, planks, boards, rafters, masts, stakes, poles, squared timber, battens, parquet boards, sawn timber, sleepers	A, B	A, B		2)
057	Fuel wood, wood charcoal, cork, wood waste, waste cork				
0571	Fuel wood, wood waste, contaminated waste wood, wood chippings, wooden slabs, wooden strips	A, B	A, B		2)
0572	Fascines	A	A		
0573	Wood charcoal, charcoal briquettes	A	A		
0574	Cork, unworked, cork bark scrap	A	A		
06	SUGAR BEET				
060	Sugar beet				
0600	Sugar beet	A	A		
09	OTHER RAW VEGETABLE, ANIMAL AND RELATED MATERIALS				
091	Raw hides and skins				
0911	Hides and skins, raw	-	A	S	
0912	Leather waste, leather flour	B	A		
092	Natural and synthetic rubber, raw and reclaimed				
0921	Gutta-percha, raw, rubber, natural or synthetic, rubber milk, latex	B	A		
0922	Reclaimed rubber	B	A		
0923	Rubber waste, rubber goods, old, missing	B	A		
099	Other non-edible vegetable and animal materials (except for pulp and waste paper)				
0991	Vegetable raw materials, e.g. bamboo, raffia, esparto grass, dye-woods, resins, copal, quilting cotton, quilting wool, barks for dyeing, for tanning, seeds, grain, unspecified, reed, seaweed	A	A	S	3)
0992	Animal raw materials, e.g. coagulum, blood meal, fathers, bonemeal	B	A		
0993	Vegetable and animal raw material waste	A, B	A		13)
Remarks: 1) guaranteed untreated 2) for untreated wood: A for treated (impregnated) wood: B 3) for dressed seed: S 13) if vegetable: A if animal: B					

1	2	3	4	5	6
Commodity code	Type of goods	Discharged into the water	Turn over to collection points for		Remarks
			sewerage	special treatment	
1	OTHER FOODSTUFFS AND FODDER				
11	SUGAR				
111	Raw sugar				
1110	Raw sugar (cane sugar, beet sugar)	B	A		
112	Refined sugar				
1120	Sugar, refined, candy sugar	B	A		
113	Molasses				
1130	Molasses	B	A		
12	BEVERAGES				
121	Wine of fresh grapes, grape must				
1210	Wine of fresh grapes, grape must	A	A		
122	Beer				
1220	Beer	A	A		
125	Other alcoholic beverages				
1250	Alcoholic beverages e.g. brandy, undenatured, fruit wine, must, spirits	A	A		
128	Non-alcoholic beverages				
1281	Non-alcoholic beverages, e.g. lemonade, mineral water	A	A		
1282	Natural mineral water, unspecified	A	A		
13	STIMULANTS AND FOOD PREPARATIONS, UNSPECIFIED				
131	Coffee				
1310	Coffee	A	A		
132	Cocoa and chocolate				
1320	Cocoa and chocolate	A	A		
133	Tea and spices				
1330	Tea and spices	A	A		
134	Unmanufactured tobacco and tobacco products				
1340	Unmanufactured tobacco, manufactured tobacco, tobacco products	A	A		
136	Confectionery, sugar confectionery, other sugars, honey				
1360	Dextrose, fructose, glucose, maltose, syrup, grape sugar, sugar confectionery, honey, artificial honey	A	A		
139	Food preparations, unspecified				
1390	Vinegar, yeast, coffee substitutes, mustard, soup concentrates, food preparations, unspecified	A	A		
Remarks:					

1	2	3	4	5	6
Commodity code	Type of goods	Discharged into the water	Turn over to collection points for		Remarks
			sewerage	special treatment	
14	MEAT, FISH, MEAT AND FISH PRODUCTS, EGGS, MILK AND DAIRY PRODUCTS, EDIBLE FATS				
141	Meat, fresh or frozen				
1410	Meat, fresh or frozen	A	A		
142	Fish, crustaceans and molluscs, fresh, frozen, dried, salted and smoked				
1420	Fish, fish products	A	A		
143	Fresh milk and cream				
1430	Buttermilk, yoghurt, kefir, skimmed milk, milk beverages, whey, cream	A	A		
144	Other dairy products				
1441	Butter, cheese, cheese products	A	A		
1442	Milk, condensed	A	A		
1449	Dairy products, unspecified	A	A		
145	Margarine and other edible fats				
1450	Margarine, edible fats, edible oils	-	A		
146	Eggs				
1460	Eggs, egg powder	A	A		
147	Meat, dried, salted, smoked, preserved meat and other meat products				
1470	Meat products	A	A		
148	Fish and mollusc products of all types				
1480	Fish marinades, conserves and salads, fish and mollusc products, unspecified	A	A		
16	CEREAL, FRUIT AND VEGETABLE PRODUCTS, HOPS				
161	Flour, cereal meal and groats				
1610	Cereal meal, cereal mixtures, brown flour, meal, groats, soya meal	B	A		
162	Malt				
1620	Malt, malt extract	A	A		
163	Other cereal preparations (incl. pastry products)				
1631	Pastry products, all varieties of pasta	A	A		
1632	Cereal flakes, grains, cereal products, unspecified	A	A		
164	Dried fruit, preserved fruit and other fruit products				
1640	Fruit, dried, preserved fruit, fruit juices, jams, marmalade, fruit products, unspecified	A	A		
165	Dried pulses				
1650	Pulses, dried	A	A		
Remarks:					

1	2	3	4	5	6
Commodity code	Type of goods	Discharged into the water	Turn over to collection points for		Remarks
			sewerage	special treatment	
166	Dried vegetables, preserved vegetables and other vegetable products				
1661	Vegetables, dried, preserved vegetables, vegetable juices	A	A		
1662	Vegetable products, unspecified, e.g. potato flour, sago, tapioca flour	B	A		
167	Hops				
1670	Hops	A	A		
17	ANIMAL FEEDSTUFFS				
171	Straw and hay				
1711	Hay, hay chaff, straw, straw chaff	A	A		
1712	Grass meal, clover meal, lucerne meal, including in pellet form	B	A		
172	Oil cake and other residues resulting from the extraction of vegetable oils				
1720	Expeller, extraction flour, whole grain flour, oil cake, including in pellet form	A	-		
179	Other animal feedstuffs incl. waste from food industries				
1791	Animal feedstuffs, of mineral origin e.g. calcium phosphate, dicalcium phosphate (phosphoric acid chalk), chalk mixtures	A	-		
1792	Animal feedstuffs, of vegetable origin, e.g. fodder crops, fodder molasses, fodder root crops, cereal middlings, gluten feed, potato pulp, potato scraps, glutens, bran, cassava roots	A, B	-	S	14)
1793	Animal foodstuffs or animal origin, e.g. fish meal, shrimps, mollusc shells, including in pellet form	-	-	S	
1794		A	-	S	
1795	Animal feedstuffs, of vegetable origin, other food industry waste products and residues, including in pellet form	A, B	-	S	14), 16)
1799	Animal feedstuffs, additives, unspecified, including in pellet form	-	-	S	
18	OIL SEEDS, OLEAGINOUS FRUITS, VEGETABLE AND ANIMAL OILS AND FATS (except edible fats)				
181	Oil seeds and oleaginous fruits				
1811	Cotton seed, groundnuts, copra, palm kernels, rape, rape seed, soya beans, sunflower seed, oleaginous fruits, including in pellet form, unspecified	A	-		
1812	Oleaginous fruits, oleaginous seeds for use as a recognised seed	A	-		
1813	Meal of oleaginous fruits	B	-		
182	Vegetable and animal oils and fats (except edible fats)				
1821	Oils and fats, of vegetable origin, e.g. groundnut oil, palm oil, soya bean oil, sunflower-seed oil, tallow	-	A		
1822	Oil and fats, of animal origin, e.g. from fishes and marine creatures, fish oil	-	A		
1823	Industrial vegetable and animal oils and fats, e.g. fatty acid, varnish, oleic acid (olein), palmitic acid, stearin, stearin pitch, stearic acid	-	A		
Remarks: 14) if flour: B 16) if waste: S					

1	2	3	4	5	6
Commodity code	Type of goods	Discharged into the water	Turn over to collection points for		Remarks
			sewerage	special treatment	
2	SOLID MINERAL FUELS				
21	HARD COAL AND HARD COAL BRIQUETTES				
211	Hard coal				
2110	Anthracite, fine washery tailings, bituminous coal, steam coal, gas coal, hard coal, unspecified	A	-	S	4)
213	Hard coal briquettes				
2130	Anthracite briquettes, hard coal briquettes	A	-	S	4)
22	LIGNITE, LIGNITE BRIQUETTES AND PEAT				
221	Lignite				
2210	Lignite, pitch coal	A	-	S	4)
223	Lignite briquettes				
2230	Lignite briquettes	A	-	S	4)
224	Peat				
2240	Fire peat, fertiliser peat, peat briquettes, peat litter, peat, unspecified	A	-	S	4)
23	HARD COAL COKE AND LIGNITE COKE				
231	Hard coal coke				
2310	Hard coal coke, gas coke, foundry coke (carbon coke), coke briquettes, semi-coke	A	-	S	4)
233	Lignite coke				
2330	Lignite coke, lignite briquettes, lignite semi-coke	A	-	S	4)
Remarks: 4) S: Spray on storage					

1	2	3	4	5	6
Commodity code	Type of goods	Discharged into the water	Turn over to collection points for		Remarks
			sewerage	special treatment	
3	OIL, PETROLEUM, PETROLEUM PRODUCTS, GASES				
31	CRUDE OIL, PETROLEUM				
310	Crude oil, petroleum				
3100	Oil, crude, petroleum, crude (crude naphtha)	-	-	S	
32	FUELS AND HEATING OIL				
321	Motor spirit (gasoline) and other light oils				
3211	Gasoline, gasoline-benzole mixture	-	-	S	
3212	Light petroleum oil, naphtha, motor gasoline, unspecified	-	-	S	
323	Petroleum, turbo-combustion engine fuel				
3231	Petroleum, heating petroleum, paraffin	-	-	S	
3232	Kerosene, turbo-combustion engine fuel, jet fuel, unspecified	-	-	S	
325	Gas oil, diesel oil and light heating oil				
3251	Diesel fuel, diesel oil, gas oil	-	-	S	
3252	Heating oil, light, extra light	-	-	S	
3253	Fatty Acid Methyl Ester (FAME, biodiesel)	-	-	S	
327	Heavy heating oil				
3270	Heating oil, medium, medium heavy, heavy	-	-	S	
33	NATURAL, REFINERY AND RELATED GASES				
330	Natural. refinery and related gases				
3301	Butadienes	-	-	S	
3302	Acetylenes, cyclohexane, gaseous hydrocarbons, methane, other natural gases	-	-	S	
3303	Ethylene, butane, butylene, isobutane, isobutylene, hydrocarbon mixtures, propane, propane-butane mixtures, propylene, refinery gases, unspecified	-	-	S	
34	NON-FUEL DERIVATIVES, UNSPECIFIED				
341	Lubricating oils and greases				
3411	Mineral lubricating oils, engine oils, lubricating greases	-	-	S	
3412	Waste oil, drain oil	-	-	S	
343	Bitumen and bituminous mixtures				
3430	Bitumen, bitumen emulsions, bitumen solutions, bitumen adhesive mass, cold tar, cold asphalt, pitch emulsions (cold bitumen), pitch solutions, tar emulsions, tar solutions, bituminous mixtures, unspecified	-	-	S	
349	Non-fuel derivatives, unspecified				
3491	Acetylene coke, petroleum coke (pet coke)	-	-	S	4)
3492	Carbon Black Oil, paraffin wax, pyrolysis oil, pyrolysis residues (pyrotar), heavy oil, not for heating	-	-	S	
3493	Paraffin, transformer oil, wax, non-fuel derivatives, unspecified	-	-	S	
Remarks: 4) S: Spray on storage					

1	2	3	4	5	6
Commodity code	Type of goods	Discharged into the water	Turn over to collection points for		Remarks
			sewerage	special treatment	
4 ORES AND METAL WASTES					
41 IRON ORE (except roasted pyrites)					
410 Iron ores and concentrates (except roasted pyrites)					
4101	Iron ores, haematite concentrates, bog iron ore	A	A	S	4), 5)
4102	Waste and intermediate products generated in preparing ores for metal extraction	A	A	S	4), 5)
45 NF ORES, COMBUSTION PRODUCTS, WASTE AND SCRAP					
451 NF metal waste, combustion products, ash and scrap					
4511	Aluminium and aluminium alloy waste, ash, residues, slag and scrap	A, B	A, B	S	5), 15)
4512	Lead and lead alloy waste, ash, residues, slag and scrap	B	B	S	5)
4513	Copper and copper alloy (brass) waste, ash, residues, slag and scrap	A, B	A, B	S	5), 15)
4514	Zinc and zinc alloy waste, ash, residues, slag and scrap	A, B	A, B	S	5), 15)
4515	Tin and tin alloy waste, ash, residues, slag and scrap	A, B	A, B	S	4), 5)
4516	Vanadium and vanadium alloy waste, ash, residues, slag and scrap	A, B	A, B	S	4), 5)
4517	NF metal and NF metal alloy (unspecified) waste, ash, residues, slag and scrap	B	B	S	5)
4518	NF metal ores combustion products	B	B	S	5)
452 Copper ores and concentrates					
4520	Copper ores, copper concentrates	-	-	S	4)
453 Bauxite, aluminium ores and concentrates					
4530	Bauxite, aluminium ores, aluminium concentrates	B	-	S	4)
455 Manganese ores and concentrates					
4550	Manganese dioxide, natural, lepidolite ore, manganese carbonate, natural, manganese dioxide, natural, manganese ores, manganese concentrates	B	A	S	4)
459 Other NF metal ores and concentrates					
4591	Lead ores, lead concentrates	-	-	S	4)
4592	Chrome ores, chrome concentrates	-	-	S	4)
4593	Zinc ores (calamine), zinc concentrates	-	-	S	4)
4599	NF metal ores, concentrates, unspecified, e.g. ilmenite (titanium iron ore), cobalt ore, monazite, nickel ore, rutile (titanium ore), tin ore, zircon ore, zircon sand	-	-	S	4)
Remarks: 4) S: Spray on storage 5) S: for water soluble metal salts 15) if waste and scrap: A, otherwise B					

1	2	3	4	5	6
Commodity code	Type of goods	Discharged into the water	Turn over to collection points for		Remarks
			sewerage	special treatment	
46	IRON AND STEEL WASTE AND SCRAP, roasted pyrites				
462	Iron and steel scrap for remelting				
4621	Waste, shavings, scrap for remelting, e.g. of sheet iron and steel, sheet bars, sections and rails	-	-	S	4)
4622	Other iron and steel scrap, for remelting, e.g. axles, old sheet metal, end-of-life vehicles, iron, old, missing, pieces of iron from wrecking activity, projectiles, broken iron castings, parts, left over ingots, rail sections, sleepers	-	-	S	4)
4623	Iron pellets, for remelting	A	A	S	4)
463	Iron and steel scrap, not for remelting				
4631	Waste, waste parts from sheet iron and steel, plates, sheet bars, sections and rails, waste iron shavings, rolling mill waste, all not for remelting	-	-	S	4)
4632	Iron and steel scrap, not for remelting, e.g. axles, iron and steel lumps, tyres, wheel sets, track, sleepers, pieces of steel from demolition work, steel shafts	-	-	S	4)
465	Iron slag and ash for remelting				
4650	Mill scale, mill slag, mill cinder, iron slag, unspecified	-	-	S	
466	Blast furnace dust				
4660	Flue dust, top gas dust, blast furnace dust	-	-	S	
467	Roasted pyrites				
4670	Iron pyrites, roasted, roasted pyrites, pyrites, roasted	-	-	S	
<p>Remarks: 4) S: Spray on storage</p>					

1	2	3	4	5	6
Commodity code	Type of goods	Discharged into the water	Turn over to collection points for		Remarks
			sewerage	special treatment	
5	IRON, STEEL AND NF METALS (including semi-finished products)				
51	PIG IRON, FERRO-ALLOYS, CRUDE STEEL				
512	Pig iron, spiegeleisen and carburised ferro-manganese				
5121	Pig iron in pigs, blocks, e.g. ferro-phosphorous, haematite pig iron, pig iron, containing phosphorous, spiegeleisen	A	A	S	6)
5122	Ferro-manganese with a carbon content greater than 2%, in pigs, in blocks	A	-	S	6)
5123	Iron filings, steel filings	B	-	S	6)
5124	Spongy iron, spongy steel, iron slag (steel skulls, pig iron skulls)	A	-	S	6)
513	Ferro-alloys (except carburised ferro-manganese)				
5131	Iron alloys, unspecified	A	A	S	6)
5132	Ferro-manganese with a carbon content of up to 2%, ferro-manganese alloys, unspecified	A	A	S	6)
5133	Ferrosilicon (silico-manganese), ferro manganese silicon	A	A	S	6)
515	Crude steel				
5150	Crude steel in ingots, in slabs, in blocks, in cast rounds	A	A	S	6)
52	SEMI-FINISHED ROLLED STEEL PRODUCTS				
522	Semi-finished rolled steel products				
5221	Semi-finished rolled steel in ingots, in slabs, in billets, in sheet bars	A	A	S	6)
5222	Wide steel strip (coils)	A	A	S	6)
5223	Wide steel strip (coils), for rolling	A	A	S	6)
523	Other semi-finished rolled steel products				
5230	Blooms, crude blooms, tube blanks	A	A	S	6)
53	BAR STEEL AND SHAPED STEEL, WIRE, RAILWAY OR TRAMWAY TRACK CONSTRUCTION MATERIAL				
531	Bar steel and shaped steel				
5311	Bar steel and shaped steel, e.g. H, I, T, U and other special profiles, round steel and square bar steel	A	A	S	6)
5312	Steel sheet piling	A	A	S	6)
5313	Reinforcing steel e.g. rebar steel (reinforcing bar steel), cold twisting TOR steel, TOR steel	A	A	S	6)
535	Wire rod				
5350	Iron or steel wire rod	A	A	S	6)
537	Railway or tramway track construction material of steel				
5370	Railway or tramway track construction material of steel e.g. track, sleepers, steel powered rails with some parts made of NF metal	A	A	S	6)
Remarks: 6) if contaminated with petroleum S					

1	2	3	4	5	6
Commodity code	Type of goods	Discharged into the water	Turn over to collection points for		Remarks
			sewerage	special treatment	
54	STEEL SHEETS, TIN PLATE AND TINNED STRIP, STEEL STRIP, INCLUDING SURFACE COATED				
541	Steel sheets and wide flats				
5411	Wide flats (universal plate)	A	A		
5412	Plates in sheets or rolls (e.g. coils) of steel, e.g. electrical sheets, magnetic steel sheets, electrical steel, thin plate, ultra-thin plate, medium plate, heavy plate, diamond steel sheets, bulb embossed plate, goffered plate, corrugated and sieving sheets, armoured plate	A	A		
544	Steel strip, including surface coated, tinned strip, tin plate				
5441	Tinned strip, tin plate	A	A		
5442	Steel strip, including surface coated	A	A		
55	TUBES AND THE LIKE STEEL, CRUDE FOUNDRY PRODUCTS AND IRON AND STEEL FORGINGS				
551	Tubes, tube and pipe fittings of steel, of cast iron				
5510	Tubes, tube and pipe fittings, tube coils of steel, of cast iron	A	A		
552	Crude foundry products and forgings of steel, of cast iron				
5520	Shaped, pressed, forged, stamped pieces of steel, of cast iron	A	A		
56	NF METALS AND NF SEMI-MANUFACTURED PRODUCTS				
561	Copper and copper alloys				
5611	Anode copper, precopper (converter copper, black copper)	A	A	S	6)
5612	Copper (electrolytic copper, refined copper), copper alloys, e.g. bronze, brass	A	A	S	6)
562	Aluminium and aluminium alloys				
5620	Aluminium, aluminium alloys	A	A	S	6)
563	Lead and lead alloys				
5630	Lead (electrolytic lead, smelted lead, rolled lead), lead alloys, lead dust, (ground crude lead)	-	-	S	
564	Zinc and zinc alloys				
5640	Zinc (spelter, electrolytic zinc, refined zinc, hard zinc), zinc alloys	B	B	S	6)
565	Other NF metals and their alloys				
5651	Magnesium, magnesium alloys	A	A	S	6)
5652	Nickel, nickel alloys	B	B	S	6)
5653	Tin, tin alloys	B	B	S	6)
5659	NF metals, NF metal alloys, unspecified	-	-	S	
Remarks: 6) if contaminated with petroleum S					

	2	3	4	5	6
Commodity code	Type of goods	Discharged into the water	Turn over to collection points for		Remarks
			sewerage	special treatment	
568	NF semi-finished metal products				
5681	Strip, plates, sheets, of NF metals and NF metal alloys	A	A	S	6)
5682	Wire of NF metals and NF metal alloys	A	A	S	6)
5683	Foils of NF metals and NF metal alloys	A	A	S	6)
5684	Sections and bars of NF metals and NF metal alloys	A	A	S	6)
5689	NF semi-finished metal products, unspecified	A	A	S	6)
<p>Comments : 6) containing traces of hydrocarbons : S</p>					

1	2	3	4	5	6
Commodity code	Type of goods	Discharged into the water	Turn over to collection points for		Remarks
			sewerage	special treatment	
6	STONE AND EARTH (including building materials)				
61	SAND, GRAVEL, PUMICE, CLAY, SLAG				
611	Sand for industrial use				
6110	Moulding sand, foundry sand, glass sand, luting sand, quartz sand, quartzite sand, sand for industrial use, unspecified	A	-	S	6)
612	Other natural sand and gravel				
6120	Gravel, including broken, sand, other	A	-		
613	Pumice, pumice sand and pumice gravel				
6131	Pumice, ground pumice powder	A	-		
6132	Pumice gravel, pumice sand	A	-		
614	Clay earth, clay and clay-containing soils				
6141	Bentonite, expanded clay, argillaceous shale, kaolin, clay earth, china clay, clay, fuller's earth, crude and unpackaged, dinas nuggets, crushed dinas (silica nuggets, crushed silica)	A	-		
6142	Bentonite, expanded clay, argillaceous shale, kaolin, clay earth, china clay, clay, fuller's earth, crude and unpackaged, fireclay, fireclay powder	A	-		
615	Slag and ash, not for remelting				
6151	Fly ash, blast-furnace ash, wood ash, coal ash, coke ash, ash from waste incineration, deslagging ash from zinc smelters (retort residue), ash from fuel, unspecified			S	
6152	Iron slag, blast furnace slag, coal slag, coke slag, converter slag, Martin process slag, slag from waste incineration, slag from lead and copper smelters, slag, containing iron, containing manganese, unspecified, welding slag, Siemens-Martin slag, powder, grit from blast furnace slag, slag from fuels, unspecified	A	-	S	4)
6153	Pumice slag	A	-		
6154	Slag sand	A	-		
62	SALT, PYRITES, SULPHURE				
621	Rock salt and saline salt				
6210	Sodium chloride, de-icing salt, evaporated salt, food grade salt, rock salt, cattle salt, salt, including denatured, unspecified	A	-	S	7)
622	Iron pyrites, unroasted				
6220	Iron pyrites, unroasted	A	-		
623	Sulphur				
6230	Sulphur, unrefined	A	-		
<p>Remarks: 4) S: Spray on storage 6) if contaminated with petroleum S 7) if denatured: S</p>					

1	2	3	4	5	6
Commodity code	Type of goods	Discharged into the water	Turn over to collection points for		Remarks
			sewerage	special treatment	
63	OTHER STONES, EARTHS AND RELATED RAW MATERIALS				
631	Erratics, ballast and other crushed stone				
6311	Boulders, erratics, lava slag, ballast, stones, blocks of stone, unprocessed, from quarries	A	-		
6312	Excavated stone, pebbles, stone grit, stone powder, stone sand, stone chippings, up to 32 mm diameter, lava chippings, raw perlite	A	-		
6313	Lava gravel	A	-		
632	Marble, granite and other building stone, slate				
6321	Basalt blocks, basalt slabs, marble blocks, marble slabs, phonolite, slate blocks, slabs, ashlar blocks and other stones, roughly hewn	A	-		
6322	Phonolite grit, phonolite chippings, fused cast basalt, crushed basalt, basalt stones, slate, burned, ground, crushed, diameter up to 32 mm	A	-		
633	Limestone and gypsum				
6331	Dolomite (calcium magnesium carbonate), dunite, calcite, olivine	A	-		
6332	Dolomite (calcium magnesium carbonate), dunite, calcite, olivine, all crushed, ground, diameter up to 32 mm	A	-		
6333	Gypsum	A	-		
6334	Gypsum, crushed, ground, diameter up to 32 mm	A	-		
6335	Agricultural lime, fertilisers, calcareous, limestone residues, marl	A	-		
634	Chalk				
6341	Chalk, crude (calcium carbonate, natural)	A	-		
6342	Chalk, for use as a fertiliser	A	-		
639	Other crude minerals				
6390	Asbestos, crude (asbestos earth, stone, powder, fibres, agglomerate), asbestos waste	-	-	S	
6391	Asphalt (asphaltite), asphalt earth, asphalt stones, asphalt products, for road building	-	-	S	
6392	Barite (barium sulphate), heavy spar, witherite	A	-		
6393	Feldspar, fluorspar (fluorite)	A	-		
6394	Magnesia, magnesite, crystal grade, magnesite, also calcined, sintered, magnesium oxide	-	-	S	
6395	earth, mud, e.g. overburden, brackish water, building rubble, garden earth, domestic refuse, humus, blast furnace waste, fossil meal, silicious earth, moler earth, refuse, sludge	-	-	S	4)
6396	building rubble, contaminated excavated material, domestic refuse, blast furnace waste, refuse	-	-	S	
6397	Colliery tailings	A	-		
6398	Crude potassium salts, e.g. kainit, carnallite, kieserite, sylvinit, Montanal	A	-		
6399	Raw minerals, miscellaneous, e.g. borax, boron minerals, earth colours, Glauber's salt (sodium sulphate), mica, kernite, corundum, cryolite, magnesia, phosphate, quartz, quartzite, soapstone, steatite, French chalk, trass, brickbats, brick rubble	A	-		
64	CEMENT AND LIMESTONE				
641	Cement				
6411	Cement	B	-		
6412	Cement clinker	A	-		
642	Limestone				
6420	Limestone, in boulders, also calcined, hydraulic lime, slaked lime	A	-		
Remarks: 4) S: Spray on storage					

1	2	3	4	5	6
Commodity code	Type of goods	Discharged into the water	Turn over to collection points for		Remarks
			sewerage	special treatment	
65	PLASTER				
650	Plaster				
6501	Plaster, calcined	A	-		
6502	Plaster, crude, for fertiliser	A	-		
6503	Plaster from flue gas desulphurisation plants, other industrial plaster	A	-		
69	OTHER MINERAL BUILDING MATERIALS (except glass)				
691	Building materials and other products from natural stone, pumice, plaster, cement and similar materials				
6911	Asbestos cement products, e.g. building blocks and constructional goods, tiles, vessels, slabs	A	-		9)
6912	Concrete and cement products, artificial stone products, e.g. building blocks, constructional goods, kerbstones, prefabricated elements, tiles, lightweight slabs, bricks, slabs, sleepers, partitions, workpieces	A	-		
6913	Pumice products, e.g. building blocks, constructional goods	A	-		
6914	Plaster products, e.g. building slabs, building blocks, constructional goods	A	-		
6915	Mineral and vegetable insulating materials, e.g. constructional goods made of foams, insulating boards, fittings, glass fleece roofing membrane, asbestos mats and sheets, glass silk, glass wadding, perlite, vermiculite, solid mass insulation	A	-		9)
6916	Natural stone (ornamental or building stone), worked and articles thereof, e.g. kerbstones, mosaic tesserae, flagstones, setts, slabs, facing bricks, stones workpieces	A	-		
6919	Articles made of other mineral materials, asphalt products, slag wool, xylolite articles, xylolite mass	A, B	-		10)
692	Coarse ceramic and refractory building materials				
6921	Roofing tiles and building bricks made of fired clay, e.g. fired bricks, building blocks, roofing tiles, hollow bricks, klinker, facing bricks, bricks	A	-		
6922	Refractory constructional goods and blocks, ceramic floor and wall panels, e.g. flagstones, ceramic tiles, slabs, fireclay saggars, fireclay slabs, fireclay blocks, fireclay articles, silica blocks, stoneware articles	A	-		
6923	Refractory mortars and masses, e.g. ramming mass, foundry mould, casting adjuvants, mortar mixtures	B	-		
6924	Fragments of refractory ceramic products, fireclay fragments, crushed fireclay	A	-		
6929	Other architectural ceramics made of fired clay, e.g. drain pipes, cable-covering stones, flagstones, setts	A	-		
<p>Remarks: 9) instead of asbestos: fibre cement 10) for xylolite mass: B; for everything else: A</p>					

1	2	3	4	5	6
Commodity code	Type of goods	Discharged into the water	Turn over to collection points for		Remarks
			sewerage	special treatment	
7	FERTILISERS				
71	NATURAL FERTILISERS				
711	Natural natron-saltpetre				
7110	Sodium nitrate (natron-saltpetre)	-	A		
712	Crude phosphates				
7121	Aluminium calcium phosphate, calcium phosphate, calcium super phosphate	A	A		
7122	Apatite, coprolite, phosphorite, crude phosphates, unspecified	A	A		
713	Potash crude salts and fertilisers of mineral origin, unspecified				
7131	Crude potassium salts, e.g. kainit, carnallite, kieserite, sylvinit, fertilisers of mineral origin, unspecified	A	A		
7132	Magnesium sulphate	A	-		
719	Natural non-mineral fertilisers				
7190	Fertilisers of vegetable and animal origin, e.g. guano, animal horn waste, soil compost, manure, farmyard manure	-	B		
72	CHEMICAL FERTILISERS				
721	Phosphate slag and Thomas slag				
7210	Converter lime, phosphate slag, Thomas ground basic slag, Thomas phosphate, Thomas phosphate flour, Thomas slag	-	B	S	11)
722	Other phosphate fertilisers				
7221	Ammoniated superphosphate, boron superphosphate, triple superphosphate, superphosphate	-	B	S	11)
7222	Dicalcium phosphate (phosphoric lime)	A	-	-	-
7223	Diammonium phosphate (diammon phosphate)	-	B	S	11)
7224	Calcined phosphate, phosphate fertiliser, calcined phosphate fertiliser, phosphate fertilisers, unspecified	-	B	S	11)
723	Potassic fertilisers				
7231	Potassium chloride (sylvite), potassium sulphate (sulphuric potassium)	A	-		
7232	Potassium magnesium sulphate (sulphuric potassium magnesium)	A	-		
724	Nitrogenous fertilisers				
7241	Ammonia gas	-	-	S	
7242	Ammonium bicarbonate, ammonium chloride (sal ammoniac, hydrochloric ammoniac), ammonium nitrate, ammonium nitrate-urea solution, urea, potassium saltpetre, potassium nitrate, calcium ammonium nitrate, calcium cyanamide, natron-saltpetre, nitrogen magnesium, nitrogenous fertilisers, unspecified	-	A		
7243	Ammonium sulphate (sulphuric ammoniac), ammonium sulphate liquor, ammonium sulphate-saltpetre	-	A		
729	Composite and other chemically manufactured fertilisers				
7290	Mineral complex compound fertiliser, specifically: NPK fertilisers, NP fertilisers, NK fertilisers, PK fertilisers, commercial fertilisers, composite fertilisers, unspecified	-	A		
Remarks: 11) if vacuumed condition not possible, then S					

1	2	3	4	5	6
Commodity code	Type of goods	Discharged into the water	Turn over to collection points for		Remarks
			sewerage	special treatment	
8	CHEMICAL PRODUCTS				
81	CHEMICAL BASIC SUBSTANCES (except aluminium oxide and hydroxide)				
811	Sulphuric acid				
8110	Sulphuric acid (oleum), spent sulphuric acid	-	-	S	
812	Caustic soda				
8120	Caustic soda (sodium hydroxide, solid), caustic soda solution (sodium hydroxide) in solution, sodium carbonate solution, soda lye	A, B	A, B		8)
813	Sodium carbonate				
8130	Sodium carbonate (carbonic sodium), natron, soda	-	-	S	
814	Calcium carbide				
8140	Calcium carbide (beware: risk of explosion in the event of contact with water!)	-	-	S	
819	Other chemical basic substances (except aluminium oxide and hydroxide)				
8190	Calcium phosphate	A	-		
8191	Acrylonitrile, adipic acid, alum, aluminium acetate (acetate of alumina), aluminium fluoride, aluminium formate (acetic alumina), aluminium sulphate (sulphuric alumina), ammonia gas, ammonia solution, ammonium saltpeter (ammonium nitrate, nitric ammonia), ammonium phosphate, ammonium phosphate solution, ethylbenzene, ethylene oxide, liquefied, barium carbonate, barium nitrate, barium nitrite, barium sulphate, barium sulphide, benzene hydrocarbon derivatives, litharge, lead oxide, white lead (lead carbonate), spirits, denatured, calcium formate, (formic lime), calcium hypochlorite (chlorinated lime), calcium nitrate (lime saltpeter), calcium phosphate, calcium sulphate (anhydrite, synthetic), cyanide, caprolactam, carborundum, chrome alum, chromium lye, chromium sulphate, cumene, dimethyl ether, methyl acetate, methyl ether, acetic acid, anhydride, monochloroacetic acid, fatty alcohols, hydrofluoric acid, ethylene glycol,	-	-	S	
	Butylene glycol, propylene glycol, glycerine, glycerine lyes, glycerine water, urea, artificial (carbamide), hexamethylenediamine, wood vinegar, isopropyl alcohol, potassium chlorate, potassium hypochlorite solution (potassium bleaching liquor), potassium nitrate, carbonic acid, concentrated, liquefied, cresol, phenol, magnesium carbonate, melamine, sodium acetate, (acetic sodium), sodium chlorate, sodium fluoride, sodium formate, sodium nitrate (natron-saltpetre), sodium phosphate, sodium sulphite (sulphuric sodium), sodium sulphide, phthalic acid hydride, retort carbon, soot, carbon disulphide, silicon, silicon carbide, spirit, denatured, nitrogen, concentrated, liquefied, styrene, trichloroethylene, detergent raw materials, hydrogen				
8192	Calcium chloride (chloro calcite), calcium cyanamide, chlorine, liquefied (chlorine lye), iron oxide, iron sulphate, caustic potash (potassium hydroxide), aqueous potash lye, potassium carbonate, potassium silicate (water glass), potassium sulphate lye, potash, magnesium sulphate (Epsom salts), manganese sulphate, methanol (wood alcohol), methyl alcohol, sodium bicarbonate (bicarbonate of soda), sodium bisulphate (bisulphate of soda), sodium nitrite (sodium nitrate), soda lye, silicate (water glass), chloride of soda, phosphoric acid, nitric acid, spent nitric acid, hydrochloric acid, spent hydrochloric acid, sulphur, cleaned, sulphur dioxide, sulphurous acids, zinc oxide, zinc sulphate	-	-	S	
8193	Potassium chloride (sylvite)	-	-	S	
8199	Other chemical basic substances, e.g. alcohol, pure (spirits), ammonium chloride (sal ammoniac), chlorobenzene, cyanide salts, hardening agents for iron, for steel, monochlorobenzene, ortho-xylene, paraxylene, radioactive materials (e.g. synthetic rutile), unspecified	-	-	S	
Remarks:	8) if solid: B if a lye: A				

1	2	3	4	5	6
Commodity code	Type of goods	Discharged into the water	Turn over to collection points for		Remarks
			sewerage	special treatment	
82	ALUMINIUM OXIDE AND HYDROXIDE				
820	Aluminium oxide and hydroxide				
8201	Aluminium oxide	B	-		
8202	Aluminium hydroxide (hydrate of alumina)	B	-		
83	BENZOLE, TARS AND THE LIKE DISTILLATION PRODUCTS				
831	Benzole				
8310	Benzole	-	-	S	
839	Pitches, tars, tar oils etc, distillation products				
8391	Nitro-benzole, benzole products, unspecified	-	-	S	
8392	Oils and other coal tar products, e.g. anthracene, anthracene mud, decalin, naphthalene, refined, tetralin, xylene, solvent naphtha, toluene, xylene	-	-	S	
8393	Pitch and tar pitch from hard coal and other mineral tars, e.g. lignite tar pitch, wood tar pitch, mineral tar pitch, petroleum pitch, hard coal tar pitch, tar pitch, peat pitch, peat-tar pitch	-	-	S	4)
8394	Pitch coke and tar coke from hard coal and other mineral tars, e.g. lignite tar coke, hard coal pitch coke, hard coal tar coke, tar coke	-	-	S	4)
8395	Gas purifying material	-	-	S	
8396	Hard coal tar, lignite tar and peat tar, wood tar, wood tar oil, e.g. impregnating oil, carbolineum, creosote oil, mineral tar, naphthalene, crude	-	-	S	
8399	Other distillation products, e.g. residues of lignite and hard coal heavy tar oil	-	-	S	
84	PAPER PULP AND WASTE PAPER				
841	Wood pulp and paper pulp				
8410	Mechanical pulp (wood pulp), wood cellulose, cellulose, waste products	A	-		
842	Used paper and waste paper				
8420	Used paper, used cardboard	A	-		
89	OTHER CHEMICAL PRODUCTS (incl. starch)				
891	Plastics				
8910	Synthetic resins, synthetic resin glue, acrylonitrile/butadiene/styrene copolymers, polyester, polyvinyl acetate, polyvinyl chloride, vinyl chloride	-	-	S	4)
8911	Plastic waste, plastic raw materials, unspecified	-	-	S	
892	Dyeing, colouring and tanning materials				
8921	Dyeing materials, colouring materials, varnishes, e.g. iron oxide for producing paint, enamel composition, clay earth pigments, prepared, lithopone, red lead, zinc oxide	-	-	S	
8922	Mastics	-	-	S	
8923	Tanning materials, tannin extracts	-	-	S	
Remarks: 4) S: Spray on storage					

1	2	3	4	5	6
Commodity code	Type of goods	Discharged into the water	Turn over to collection points for		Remarks
			sewerage	special treatment	
893	Pharmaceutical products, essential oils, perfumery and cleansing preparations				
8930	Pharmacy products, (medicinal products), cosmetic and pharmaceutical products, cleansing products, soap, detergents, washing powder	-	A	S	17)
894	Ammunition and explosives				
8940	Ammunition and explosives	-	-	S	
895	Starches and adhesives				
8950	Wet starch, potato starch meal, starch, starch products, dextrin (soluble starch), gluten	-	A		
896	Other chemical products				
8961	Waste chemical threads, fibres, yarns, plastics, including foamed, including thermoplastic, unspecified, waste mixed acids of sulphuric acid and nitric acid, electrode carbon waste, residues, carbon ramming mass	-	-	S	
8962	Waste products and residues from the chemical industry, the glass industry, containing iron oxide, spent sulphite liquor	-	-	S	
8963	Acetone, ethyl acetate, ethyl chloride, ethyl glycol, butanol, butyl glycol, chlorohydrocarbons, unspecified, chlorinated paraffin, chloroform (trichloromethane), dichloroethylene, EDTA (ethylenediaminetetraacetic), decalcifying agents for tanning, ETBE (ethyl tert-butyl ether), glycols, unspecified, graphite, graphite products, hardening compounds for plastics, hexachloroethane, cable wax, glues, solvents, methyl chloride, MTBE (methyl tert-butyl ether), NTA (nitrilotriacetic), perchloroethylene, plant production products, unspecified, propyl acetate, propyl glycol, surfynol (TMDD = 2,4,7,9-Tetramethyl-5-decyne-4,7-diol), tall oil, tall oil products, turpentine oil, tetrachlorobenzene, tetrachlorohydrocarbon, trichlorobenzene, triphenylphosphine, plasticising compounds for plastics	-	-	S	
8969	Chlorothene, creosote, chemicals, chemical products, unspecified	-	-	S	
Remarks: 17) if pharmacy products (medicinal products): S					

1	2	3	4	5	6
Commodity code	Type of goods	Discharged into the water	Turn over to collection points for		Remarks
			sewerage	special treatment	
9	VEHICLES, MACHINERY, OTHER FINISHED AND SEMI-FINISHED PRODUCTS, MISCELLANEOUS ARTICLES FOR TRANSIT TRANSPORT				12)
91	VEHICLES				
910	Vehicles				
9101	Terrestrial vehicles, including components (except vehicle engines), e.g. recovery vehicles, bicycles, motor vehicles, tractors, axles, axle bearings, axle stubs	-	-		
9102	Aerial vehicles, including components (apart from vehicle engines)	-	-		
9103	Rail vehicles, including components (apart from vehicle engines), e.g. locomotives, wagons, tyres, wheel discs	-	-		
9104	Water-borne vehicles, including components (apart from vehicle engines), e.g. boats, ships, floats, navigational signs	-	-		
92	AGRICULTURAL MACHINERY				
920	Agricultural machinery and equipment				
9200	Agricultural machinery and equipment, including accessories, components and spare parts	-	-		
93	ELECTRICAL PRODUCTS, OTHER MACHINERY				
931	Electrical products				
9311	Electric stoves, ovens, television appliances, telephony equipment, radio equipment, scales, washing machines	-	-		
9312	Electrodes for electrical apparatus and stoves, electrode carbon, electrode carbon rods, insulators	-	-		
9313	Accumulators, accumulator plates, apparatus, electrical, dynamos, electric motors, generators, cables, measuring devices, transformers	-	-		
9314	Electrical waste equipment (electronic scrap)	-	-	S	
9319	Other electronic products	-	-		
939	Other machinery, unspecified (incl. vehicle engines)				
9391	Fittings, diesel engines, ball bearings, roller bearings, spark ignition engines, spark ignition engine components	-	-		
9392	Excavators, concrete mixers, lifting equipment, cranes, pumps, rollers and other equipment and machinery for construction and excavation work, including components	-	-		
9393	Office machinery	-	-		
9394	Cast iron foundry moulds, ingot moulds, jackets, iron, for generators, condensers, annealing furnaces, cylinders, for rotary kilns	-	-		
9399	Other machinery, unspecified	-	-		
Remarks: 12) for packages see prior comment c)					

1	2	3	4	5	6
Commodity code	Type of goods	Discharged into the water	Turn over to collection points for		Remarks
			sewerage	special treatment	
94	MANUFACTURES OF METAL				
941	Metal prefabricated parts and structural components				
9411	Huts, sheds, stands made of metal, windows, window parts, masts, gates, gate frames, doors, door frames, of metal	-	-		
9412	Structures and structural components, of metal	-	-		
949	Other manufactures of metal				
9491	Sheet metal goods, bolts, bushes, wire cables, ironmongery including with electrical fitting, steel springs, steel vessels and cylinders for transporting compressed or liquefied gases, cast iron products, cast iron domestic appliances, canisters, buckets, screws and nuts, welding wire, tools, steel products, unspecified	-	-		
9492	Anchors for water-borne vessels, reinforced steel mats, reinforced steel mesh, wire, wire mesh, wire nails, iron containers, iron vessels, fittings made of cast iron, of steel, boilers, chains, nails, rivets, barbed wire, steel mats	-	-		
9493	Concrete wire mesh (wire mesh with concrete applied)	-	-		
95	GLASS, GLASSWARE, CERAMIC PRODUCTS AND OTHER MANUFACTURES OF MINERALS				
951	Glass				
9511	Window glass, flat glass, float glass, glass bricks, glass roof slates, glass tiles, insulating glass, laminated glass, raw glass	-	-		
9512	Glass, ground, glass waste, broken glass, glass fragments	A	-		
952	Glassware, ceramic and other mineral semi-finished and finished goods				
9521	Asbestos goods, e.g. seals, filter plates, felt, board, protective clothing	-	-		
9522	Glassware, e.g. bottles, demijohns, cutlery, cast glass, glass rods	-	-		
9523	Ceramic products, e.g. clay or stoneware fittings, clayware and pottery products	-	-		
9529	Other mineral semi-finished and finished goods, unspecified	-	-		
96	LEATHER, LEATHER GOODS, TEXTILES, CLOTHING				
961	Leather, finished hides, leather goods				
9610	Hides, skins, leather, fur	-	-		
962	Textile yarns, fabrics and related articles				
9620	Chemical threads, yarns, threads and yarns of vegetable textile fibres, of animal hair, of wool, felt, felt products, fabrics and materials, jute sacks, covers, cordage products, carpets, wadding	-	-		
963	Clothing, shoes, travel articles				
9630	Clothing, leather goods, fur products, textiles	-	-		
Remarks:					

1	2	3	4	5	6
Commodity code	Type of goods	Discharged into the water	Turn over to collection points for		Remarks
			sewerage	special treatment	
97	OTHER FINISHED AND SEMI-FINISHED PRODUCTS				
971	Rubber articles				
9710	Floor coverings, rubber tyres, gutta-percha, processed, pipes, foam rubber	-	-		
972	Paper and cardboard				
9721	Bitumen felt, bitumen paper, bitumen cardboard, roofing felt, tar felt, tar paper, tar cardboard	-	A		
9722	Greyboard, wallpapers, parchment paper, corrugated cardboard, cellulose wadding (paper wadding)	-	A		
9723	Kraftliner, wrapping paper, paper in rolls, newsprint paper	-	A		
973	Paper and cardboard products				
9730	Paper products, cardboard products	-	A		
974	Print products				
9740	Books, newspapers, printed matter, unspecified	-	-		
975	Furniture and furnishings				
9750	Furniture, furniture parts and furnishings, unspecified	-	-		
976	Wood and cork manufactures				
9760	Huts, houses, sheds, stands made of wood, components (wooden structures), vessels, windows, window parts, friezes, veneers, hardboard panels, household appliances, timber paving blocks, timber paving panels, particle board, especially manufactured (e.g. for baskets, boxes), wood wool, plywood, plywood panels, wooden girders, cork articles	-	-		
979	Other finished products				
9790	Apparatus, instruments, incl. accessories and components for chemical, medicinal, physical purposes, brushes, woven goods and baskets, plastic articles, music instruments, sanitary ware	-	-		
99	MISCELLANEOUS ARTICLES FOR TRANSIT TRANSPORT GROUPAGE FREIGHT AND GENERAL CARGO)				
991	Used packaging, packaging materials				
9910	Containers, cable drums, empties, palettes, all used, used empty vehicles (e.g. trailers, chassis), other packaging material, unspecified	-	-		
992	Construction equipment, fairground materials etc.				
9920	Construction and exhibitor equipment, used	-	-		
999	Groupage freight and general cargo, articles for transit transport which are inherently incapable of classification				
9991	Weapons, incl. accessories and components	-	-		
9999	Goods, unspecified	-	-		
Remarks:					

APPENDIX IV
TO THE IMPLEMENTING REGULATION
ATTESTATION OF UNLOADING

Model
(2014 Edition)
Amended by Resolution 2013-II-4

Dry shipping (page 78)

Tanker shipping (page 80)

Unloading certificates consistent with Appendix IV to the implementing regulations in the version in force up until 31 December 2013 may be used until 31 December 2014 inclusive and presented by way of corroboration as construed by article 6.03, paragraph 1 of Annex 2 until 30 June 2015 inclusive.

Attestation of unloading (Dry shipping)

Please only tick as appropriate

Part 1: Declaration by the consignee / handling facility

A Name/company:

Address:

1. We unloaded from the vessel
(Name) (ENI) (Hold no.)
2. t / m³
(Quantity) (Category and no. of goods according to Appendix III to the Implementing Regulation)
3. Announced on: (Date) (Time) 4. Unloading commenced: (Date) (Time)
5. Unloading completed: (Date) (Time)

B Exclusive transport operations

6. * The vessel/barge is engaged in exclusive transport operations.

C Cleaning of the vessel

7. Hold nos. were
- a) * handed over in a swept condition (unloading standard A by virtue of Appendix III of Annex 2);
- b) * handed over in a vacuum cleaned condition (unloading standard B by virtue of Appendix III of Annex 2);
- c) * handed over in a washed condition.

D Receipt of handling residues / residual cargo

8. a) * handling residues received.
- b) * residual cargo from hold nos. have been received.

E Wash water (including ballast water and rainwater)

9. Wash water (including ballast water and rainwater) in the holds referred to above, with the following
..... m³ / l
- a) may be discharged overboard into the surface water in compliance with the provisions of Appendix III of the Implementing Regulation;
- b) has been received;
- c) * must be discharged at the following reception station (Name/company) appointed by us;
- d) * must be deposited as stipulated in the transport contract.

F Slops

10. * slops received, quantity: l / kg

G Signature by consignee / handling facility

.....
(Place) (Date, time) (Stamp/name in block capital letters and signature)

Part 2: Declaration by the boatmaster

11. Wash water (including ballast water and rainwater) has been temporarily stored in:
- a) residue tank / wash water tank; quantity: m³ / l
- b) * Hold; quantity: m³ / l
- c) other residue containers, specifically: Quantity: m³ / l

12. The information provided under nos. 1 to 10 is confirmed.

13. Remarks:

14.
(Date) (Name of boatmaster in block capitals, and signature)

Part 3: Declaration by the reception station for the wash water

(only required if point 9 c) or point 9 d) are marked with cross)

Name/ company: Address:

Attestation of deposit

15. The deposit of wash water (including ballast water and rainwater) according to quantity stated under point 9 and code** is confirmed. Wash water, quantity: m³ / l

16. Remarks:

17.
(Place) (Date) (Stamp/name in block capital letters and signature)

* See note on this question in the annex to the attestation of unloading for dry shipping

** Waste classification under EC Regulation No 1013/2006

Annex attestation of unloading for dry shipping

Information on how to complete the attestation of unloading

Information on point 6: In this case points 7 to 9 do not need to be completed.

Information on point 7: for 7 a) and b) transitional provisions are in force until 1 November 2014 (article 6.02, paragraph 1):

- Instead of a “vacuum cleaned” unloading standard required in Annex III of the CDNI Implementing Regulation, the “swept condition” shall be permitted;
- where in Annex III of the CDNI Implementing Regulation wash water is to be discharged into the sewer system, discharging into the waterway is authorised if the “swept condition” unloading standard has been respected.

Information on point 9: If 9 c) or 9 d) were marked with a cross, then points 11 and 15 to 17 inclusive must be completed as well.

Information on point 10: The consignee / handling facility may accept slops but is not obliged to do so.

Information on point 11 b): If a type of cargo requiring special handling in accordance with S pursuant to Annex III was transported in the hold, the wash water is to be discharged either at the consignee's premises / handling facility or at a wash water reception station.

Attestation of unloading (Tanker shipping)

Please only tick as appropriate

Part 1: Declaration by the consignee / handling facility

A Name/company:

Address:

1. We unloaded from the vessel
(Name) (ENI) (Cargo tank no.)
2. t / m³
(Quantity) (Category and no. of goods according to Appendix III to the Implementing Regulation)
3. Announced on: (Date) (Time) 4. Unloading commenced: (Date) (Time)
5. Unloading completed: (Date) (Time)

B Exclusive transport operations

6. * The vessel/barge is engaged in exclusive transport operations.

C Cleaning of the vessel

7. Cargo tank nos. were
- a) * handed over in a stripped condition (unloading standard A by virtue of Annex III to the Application Regulations);
- b) handed over in a washed condition

D Receipt of handling residues / residual cargo

8. a) * handling residues received.
- b) * Residual cargo from cargo tank nos. received.

E Wash water (including ballast water and rainwater)

9. The wash water (including ballast water and rainwater) in the cargo tanks, referred to above, with the following quantity: m³ / l
- a) may be discharged overboard into the surface water in compliance with the provisions of Appendix III of the Implementing Regulation;
- b) was received;
- c) * must be discharged at the following reception station..... (Name/company) appointed by us;
- d) * must be deposited as stipulated in the transport contract.

F Slops

10. * slops received, quantity: l / kg

G Signature by consignee / handling facility

.....
(Place) (Date, time) (Stamp/name in block capital letters and signature)

Part 2: Declaration by the boatmaster

11. The wash water (including ballast water and rainwater) from the cargo tanks referred to above has been temporarily stored in:
- a) residue tank / wash water tank; quantity: m³ / l
- b) IBC; quantity: m³ / l
- c) * Cargo tank; quantity: m³ / l
- d) other residue containers, specifically: Quantity: m³ / l
12. The information provided under nos. 1 to 10 is confirmed.
13. Remarks:
14.
(Date) (Name of boatmaster in block capitals, and signature)

Part 3: Declaration by the reception station for the wash water

(only required if point 9 c) or point 9 d) are marked with cross)

Name/ company

..... Address

Attestation of deposit

15. The deposit of wash water (including ballast water and rainwater) according to quantity stipulated under no. 9 and code **). is attested. Wash water, quantity: m³ / l
16. Remarks:
17.
(Place) (Date) (Stamp/name in block capital letters and signature)

* See note on this question in the annex to the attestation of unloading for tanker shipping

** Waste classification under EC Regulation No 1013/2006

Annex attestation of unloading for tanker shipping

Information on how to complete the attestation of unloading

Information on point 6: In this case points 7 to 9 do not need to be completed.

Information on point 7: transitional provisions for 7 a) are in force until 1 November 2014 (article 6.02, paragraph 1): Under article 7.04, stripping of the cargo tanks is not required but the available systems must be used to the maximum extent possible, even if these systems do not yet comply with the provisions of Annex II of the CDNI Implementing Regulation.

Information on point 8: 8 a) includes handling residues caught in drip trays.
The transitional provision referred to in Article 6.02, paragraph 1, sub-section b) shall apply to 8 b) until 1 November 2014, i.e. the residual cargo need not necessarily be accepted but only if a bilge pumping system is available.

Information on point 9: If 9 c) or 9 d) were marked with a cross, then points 11 and 15 to 17 inclusive must be completed as well.

Information on point 10: The consignee / handling facility may accept slops but is not obliged to do so.

Information on point 11 c): If a type of cargo requiring special handling in accordance with S pursuant to annex III was transported in the cargo tank, the wash water is to be discharged either with the consignee / handling facility or a wash water reception station.

APPENDIX V
TO THE IMPLEMENTING REGULATION
(2010 EDITION)
Amended by resolution 2010-i-1

**LIMIT AND CONTROL VALUES FOR SEWAGE TREATMENT PLANTS ON BOARD
PASSENGER SHIPS**

1. On-board sewage plants must comply with the following limits during the type test:

Table 1: On-board sewage plant (test plant) discharge limits to be complied with during type testing

Parameter	Oxygen concentration		Sample
	Stage I	Stage II w.e.f 1.1.2011	
Biochemical oxygen requirements (BOR _s) ISO 5815-1 en 5815-2 (2003) ¹⁾	25 mg/l	20 mg/l	24-h-composite sample, homogenised
	40 mg/l	25 mg/l	Sample, homogenised
Chemical Oxygen Requirement (COR) ²⁾ ISO 6060 (1989) ¹⁾	125 mg/l	100 mg/l	24-h-composite sample, homogenised
	180 mg/l	125 mg/l	Sample, homogenised
Total Organically Bound Carbon (TOC) EN 1484 (1997) ¹⁾	---	35 mg/l	24-h-composite sample, homogenised
	---	45 mg/l	Sample, homogenised

¹⁾ The Contracting States may use equivalent procedures.

²⁾ Total Organically Bound Carbon (TOC) may also be used for the type test instead of the Chemical Oxygen Requirement (COR).

2. The following control values are to be adhered to during operation.

Table 2: On-board sewage plant discharge limits to be complied with during passenger vessel onboard operation

Parameter	Oxygen concentration		Sample
	Stage I	Stage II w.e.f 1.1.2011	
Biochemical oxygen requirements (BOR ₅) ISO 5815-1 en 5815-2 (2003) ¹⁾	40 mg/l	25 mg/l	Sample, homogenised
Chemical Oxygen Requirement (COR) ²⁾ ISO 6060 (1989) ¹⁾	180 mg/l	125 mg/l	Sample, homogenised
	---	150 mg/l	Random sample
Total Organically Bound Carbon (TOC) EN 1484 (1997) ¹⁾	---	45 mg/l	Sample, homogenised

¹⁾ The Contracting States may use equivalent procedures.

²⁾ Total Organically Bound Carbon (TOC) may also be used for the type test instead of the Chemical Oxygen Requirement (COR).

The relevant value is to be complied with in the random sample. The competent authorities are to take random samples at irregular intervals.

3. Processes involving the use of substances containing chlorine are not permitted.

It is also not permitted to dilute domestic waste water in order reduce its specific pollution effect, thereby enabling it to be disposed of.
